

Instruction manual

Page 6

IMPORTANT: *Read all instructions before using.*

Guide d'utilisation

Page 17

IMPORTANT: *Lire toutes les instructions avant de démarrer les travaux.*

Manual de instrucciones

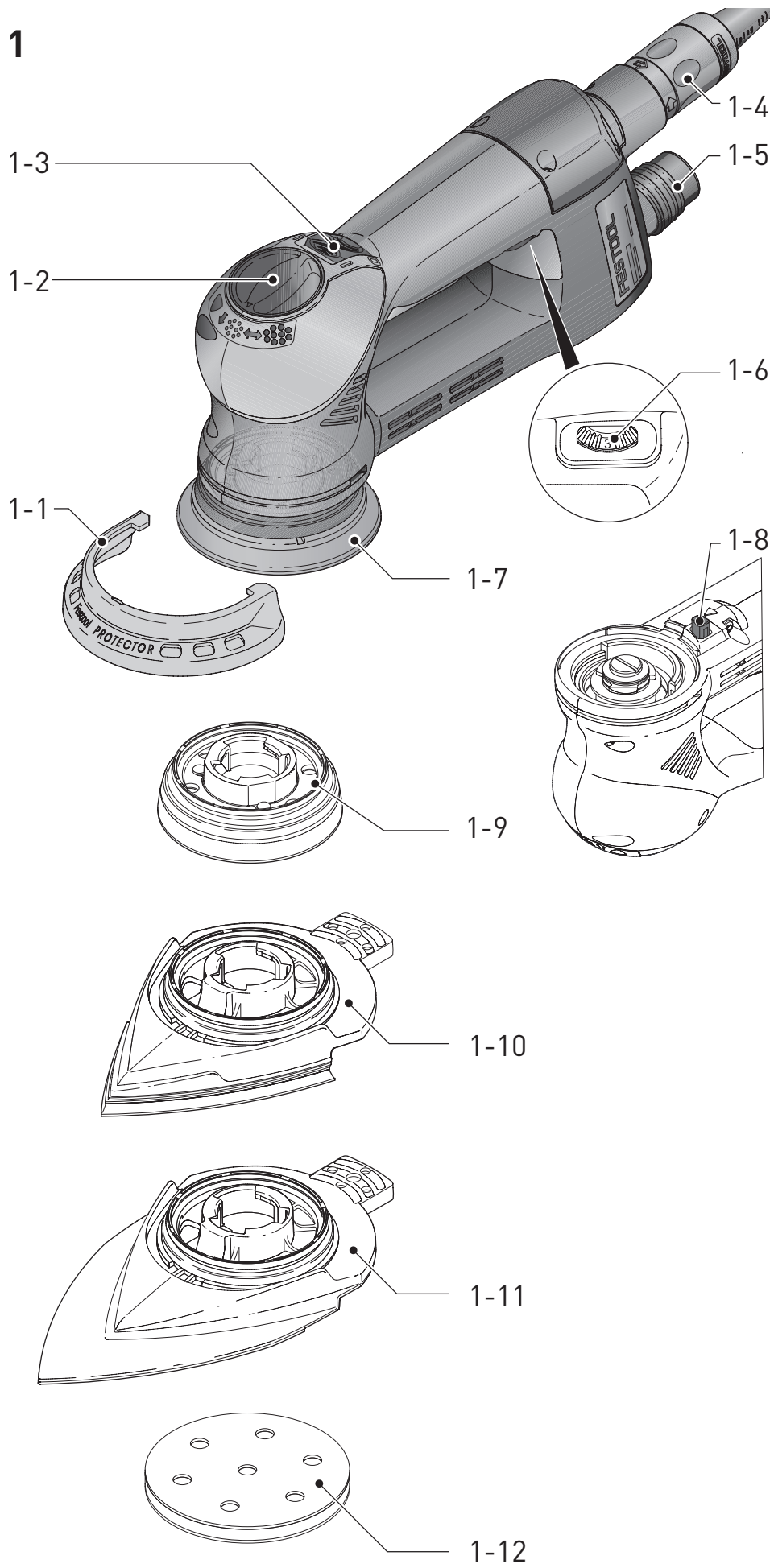
Página 30

IMPORTANTE: *Lea todas las instrucciones antes de usar.*

**Instruction manual
Guide d'utilisation
Manual de instrucciones**

**ROTEX
RO 90 DX FEQ**





Contents

| | |
|-------------------------------|----|
| Symbols | 6 |
| Technical data | 6 |
| Safety instructions | 6 |
| Functional description..... | 9 |
| Intended use..... | 9 |
| Operation | 9 |
| Settings..... | 10 |
| Working with the machine..... | 14 |
| Service and maintenance | 14 |
| Accessories | 15 |
| Disposal | 16 |
| Warranty | 16 |



Warning of general danger



Risk of electric shock



Read the Operating Instructions/Notes!



Wear protective goggles.



Wear ear protection.



Wear a dust mask.



Disconnect from the power supply!

Symbols

| | |
|-------------------|----------------------------------|
| V | volts |
| W | watts |
| A | amperes |
| Hz | hertz |
| ~ | alternating current |
| --- | direct current |
| d.c. | |
| n_0 | no load speed |
| | Class II Construction |
| .../min | revolutions or reciprocation per |
| min^{-1} | minute |
| h | hour |
| min | minutes |
| s | seconds |
| kg | kilograms |
| \varnothing | diameter |
| | tip, hint |

1 2 3 ...



The numbers in the figures indicate in which order you should follow the steps.

Technical data

| Gear-driven eccentric sander | RO90 DX FEQ |
|--|--------------------|
| Power | 400 W |
| Speed | |
| Eccentric motion | 3000 - 7000 rpm |
| Rotex rotary motion | 220 - 520 rpm |
| Sanding stroke | 3.0 mm (0.12") |
| FastFix sanding pad | dia. 90 mm (3.54") |
| Weight (without mains cable, with sanding pad) | 1.45 kg (3.20 lbs) |
| Safety class | /II |

Safety instructions

General safety instructions



WARNING! Read all safety warnings and all instructions. Failure to follow the warnings and instructions may result in electric shock, fire and/or serious injury.

Save all warnings and instructions for future reference.

The term "power tool" in the warnings refers to your mains-operated (corded) power tool or battery-operated (cordless) power tool.

1 WORK AREA SAFETY

- Keep work area clean and well lit.** *Cluttered and dark areas invite accidents.*
- Do not operate power tools in explosive atmospheres, such as in the presence**

of flammable liquids, gases or dust. *Power tools create sparks which may ignite the dust or fumes.*

- c) **Keep children and bystanders away while operating a power tool.** *Distractions can cause you to lose control.*

2 ELECTRICAL SAFETY

- a) **Power tool plugs must match the outlet. Never modify the plug in any way. Do not use any adapter plugs with earthed (grounded) power tools.** *Unmodified plugs and matching outlets will reduce risk of electric shock.*
- b) **Avoid body contact with earthed or grounded surfaces, such as pipes, radiators, ranges and refrigerators.** *There is an increased risk of electric shock if your body is earthed or grounded.*
- c) **Do not expose power tools to rain or wet conditions.** *Water entering a power tool will increase the risk of electric shock.*
- d) **Do not abuse the cord. Never use the cord for carrying, pulling or unplugging the power tool. Keep cord away from heat, oil, sharp edges or moving parts.** *Damaged or entangled cords increase the risk of electric shock.*
- e) **When operating a power tool outdoors, use an extension cord suitable for outdoor use.** *Use of a cord suitable for outdoor use reduces the risk of electric shock.*
- f) **If operating a power tool in a damp location is unavoidable, use a residual current device (RCD) protected supply.** *Use of an RCD reduces the risk of electric shock.*

3 PERSONAL SAFETY

- a) **Stay alert, watch what you are doing and use common sense when operating a power tool. Do not use a power tool while you are tired or under the influence of drugs, alcohol or medication.** *A moment of inattention while operating power tools may result in serious personal injury.*
- b) **Use personal protective equipment. Always wear eye protection.** *Protective equipment such as dust mask, non skid safety shoes, hard hat, or hearing protection*

used for appropriate conditions will reduce personal injuries.

- c) **Prevent unintentional starting. Ensure the switch is in the off-position before connecting to power source and/or battery pack, picking up or carrying the tool.** *Carrying power tools with your finger on the switch or energising power tools that have the switch on invites accidents.*
- d) **Remove any adjusting key or wrench before turning the power tool on.** *A wrench or a key left attached to a rotating part of the power tool may result in personal injury.*
- e) **Do not overreach. Keep proper footing and balance at all times.** *This enables better control of the power tool in unexpected situations.*
- f) **Dress properly. Do not wear loose clothing or jewellery. Keep your hair, clothing and gloves away from moving parts.** *Loose clothes, jewellery or long hair can be caught in moving parts.*
- g) **If devices are provided for the connection of dust extraction and collection facilities, ensure these are connected and properly used.** *Use of dust collection can reduce dust-related hazards.*

4 POWER TOOL USE AND CARE

- a) **Do not force the power tool. Use the correct power tool for your application.** *The correct power tool will do the job better and safer at the rate for which it was designed.*
- b) **Do not use the power tool if the switch does not turn it on and off.** *Any power tool that cannot be controlled with the switch is dangerous and must be repaired.*
- c) **Disconnect the plug from the power source and/or battery pack from the power tool before making any adjustments, changing accessories, or storing power tools.** *Such preventive safety measures reduce the risk of starting the power tool accidentally.*
- d) **Store idle power tools out of the reach of children and do not allow persons unfamiliar with the power tool or these instructions to operate the power tool.** *Power tools are dangerous in the hands of untrained users.*
- e) **Maintain power tools. Check for misalignment or binding of moving parts,**

breakage of parts and any other condition that may affect the power tool's operation. If damaged, have the power tool repaired before use. *Many accidents are caused by poorly maintained power tools.*

- f) **Keep cutting tools sharp and clean.** *Properly maintained cutting tools with sharp cutting edges are less likely to bind and are easier to control.*
- g) **Use the power tool, accessories and tool bits etc. in accordance with these instructions taking into account the working conditions and the work to be performed.** *Use of the power tool for operations different from those intended could result in a hazardous situation.*
- h) **Keep handles dry, clean and free from oil and grease.** *Slippery handles do not allow for safe handling and control of the tool in unexpected situations.*

5 BATTERY TOOL USE AND CARE

- a) **Recharge only with the charger specified by the manufacturer.** *A charger that is suitable for one type of battery pack may create a risk of fire when used with another battery pack.*
- b) **Use power tools only with specifically designated battery packs.** *Use of any other battery packs may create a risk of injury and fire.*
- c) **When battery pack is not in use, keep it away from other metal objects like paper clips, coins, keys, nails, screws, or other small metal objects that can make a connection from one terminal to another.** *Shorting the battery terminals together may cause burns or a fire.*
- d) **Under abusive conditions, liquid may be ejected from the battery; avoid contact. If contact accidentally occurs, flush with water. If liquid contacts eyes, additionally seek medical help.** *Liquid ejected from the battery may cause irritation or burns.*

6 SERVICE

- a) **Have your power tool serviced by a qualified repair person using only identical replacement parts.** *This will ensure that the safety of the power tool is maintained.*

Machine-related safety instructions

- **Harmful/toxic dusts can be produced during your work (e.g. lead-containing paint, some types of wood and metal).** Contact with these dusts, especially inhaling them, can represent a hazard for operating personnel or persons in the vicinity. Comply with the safety regulations that apply in your country. Connect the electric power tool to a suitable extraction system.



To protect your health, wear a P2 protective mask.



Always wear protective goggles to protect against sanding hazards.

- **Prevent liquid polish from entering the machine.** The penetration of liquid polish into the electric power tool increases the risk of an electric shock.

Metal processing



When processing metal, the following measures must be taken for safety reasons:

- Install an upstream residual-current circuit-breaker (FIG, PRCD).
- Connect the machine to a suitable dust extractor.
- Regularly remove dust deposits in the motor housing.



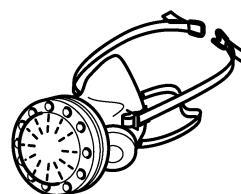
Wear protective goggles.

Health hazard by dust



WARNING! Various dust created by power sanding, sawing, grinding, drilling and other construction activities contains chemicals known (to the State of California) to cause cancer, birth defects or other reproductive harm. Some examples of these chemicals are:

- lead from lead-based paints,
- crystalline silica from bricks and cement and other masonry products, and
- arsenic and chromium from chemical-treated lumber.



The risk from these exposures varies, depending on how often you do this type of work. To reduce your exposure to these chemicals: work in a well ventilated

area, and work with approved safety equipment, such as dust masks that are specially designed to filter out microscopic particles. Wash hands after handling.



WARNING

TO REDUCE THE RISK OF INJURY, USER MUST READ INSTRUCTION MANUAL.

Functional description

The pictures for the functional description are on a fold-out page at the beginning of the instruction manual. When reading of the manual you can fold out this page for having always an overview of the machine.

[1-1] Protector

[1-2] Change-over switch/spindle stop

[1-3] On/Off switch

[1-4] Mains power cable

[1-5] Extractor connector

[1-6] Speed control

[1-7] Sanding pad

[1-8] Stop rod

[1-9] Polishing pad*

[1-10] Delta sanding pad

[1-11] Slat sanding pad*

[1-12] Interface pad*

* not on all versions included in the scope of delivery

Intended use

As specified, the machine is designed for sanding and polishing plastic, metal, wood, composite materials, paint/clear coats, filler and similar materials. Materials containing asbestos must not be processed.

To guarantee electrical safety, the machine must not be damp or operated in a damp en-

vironment. The machine must only be used for dry sanding.



WARNING

The user will be liable for damage due to improper use.

Operation

Consider the pictures on the fold-out page.



WARNING

Unauthorised voltage or frequency!

Risk of accident

- ▶ The mains voltage and the frequency of the power source must correspond with the specifications on the machine's name plate.
- ▶ In North America, only Festool machines with the voltage specifications 120 V/60 Hz may be used.

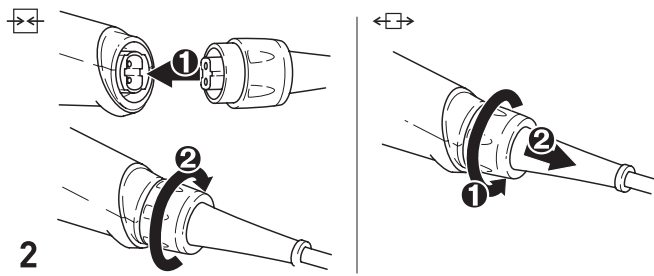


WARNING

Risk of injury, electric shock

- ▶ Always pull the plug out of the socket before performing any type of work on the machine!

Connecting and detaching the mains power cable **[1-4]** see Fig. **[2]**.



The switch [1-3] is an on/off switch (I = ON, 0 = OFF).

- ① The circuit closer can only be actuated if the change-over switch [1-2] is in an engaged position.
- ② In case of a power failure or if the mains connector is removed, move the on/off switch immediately to the Off position. This prevents uncontrolled restarting.

Extension Cord

If an extension cord is required, it must have sufficient cross-section to prevent an excessive drop in voltage or overheating. An excessive drop in voltage reduces the output and can lead to failure of the motor. The table below shows you the correct cord diameter as a function of the cord length for this tool.

| Total Extension Cord Length (feet) | 25 | 50 | 100 | 150 |
|------------------------------------|----|----|-----|-----|
| Cable size (AWG) | 18 | 16 | 16 | 14 |

Use only U.L. and CSA listed extension cords. Never use two extension cords together. Instead, use one long one.

- ① The lower the AWG number, the stronger the cord.

Settings

Consider the pictures on the fold-out page.



WARNING

Risk of injury, electric shock

- ▶ Always pull the plug out of the socket before performing any type of work on the machine!

Electronics

The machine features full-wave electronics with the following features:

Smooth start-up

The electronically controlled smooth start-up ensures that the machine starts up jolt-free.

Speed control

You can regulate the speed steplessly with the adjusting wheel [1-6] in the speed range (see Technical data). This enables you to optimise the cutting speed to suit the surface (see table).

Constant speed

The preselected motor speed remains constant through electronic control to ensure a uniform cutting speed even when under load.

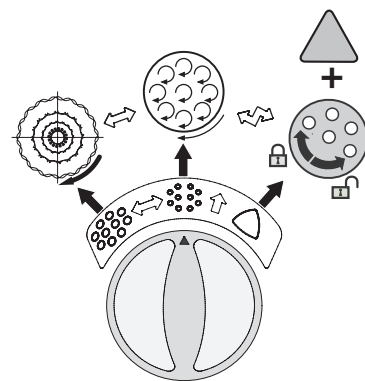
Temperature cut-out

The machine power supply is limited and the speed reduced if the motor exceeds a certain temperature. The machine continues operat-

ing at reduced power to allow the ventilator to cool the motor quickly. If the machine temperature exceeds the maximum permitted value for longer periods, the machine switches off completely after approx. 40 seconds and can only be switched on again once the motor has cooled sufficiently.

Setting sanding motion - Fig. [3]

3



The change-over switch [1-2] can be used to set three different sanding motions.

- ① This change-over can only be carried out with the sanding pad stationary because the switch is locked during operation.

Coarse sanding, polishing - ROTEX rotary motion



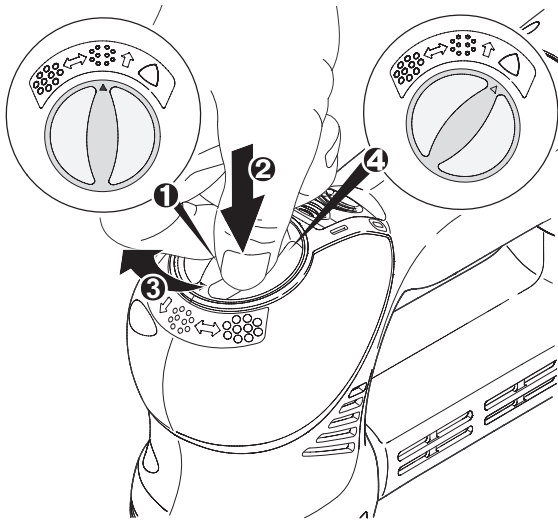
The Rotex rotary motion is a combination of rotary and eccentric motions. This position is selected for sanding with high output (coarse sanding) and polishing.

Fine sanding - eccentric motion



This position is selected for sanding with low output for a scratch-free surface (fine sanding).

Triangular sanding and pad change - Fig. [4]



4



This position is used for sanding with the delta sanding pad and slat sanding pad; the rotary motion is blocked.

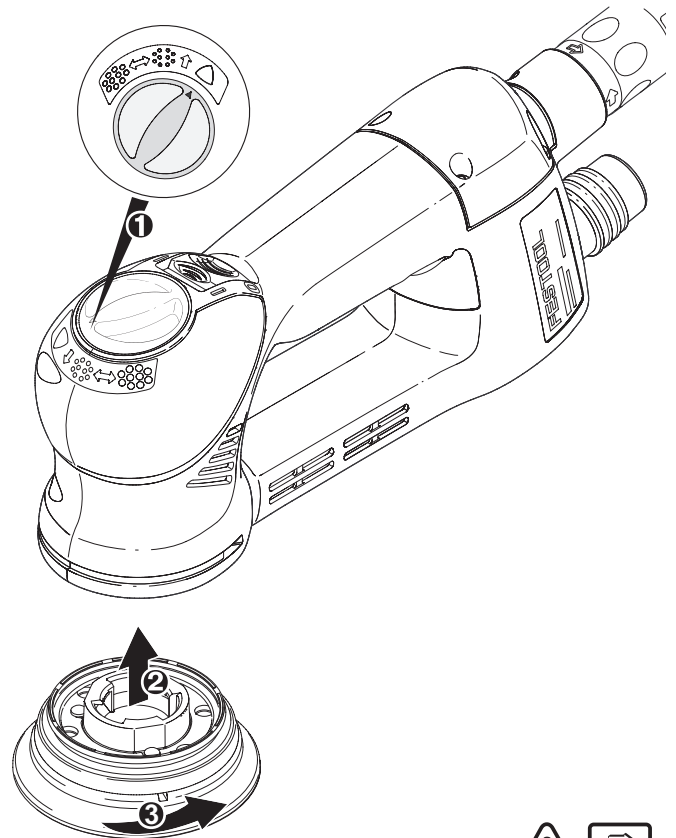


You can change the sanding pad in this position.

- ① The stop rod [1-8] blocks the installation of the sanding pad in the change-over switch positions ROTEX rotary motion and eccentric motion.

Changing sanding/polishing pad - Fig. [5]

- ① Only use sanding and polishing pads that are suitable for the maximum speed specified.



5



Tuned to the surface being processed, the machine can be equipped with two sanding pads of different hardnesses.

Hard: Coarse and fine sanding on surfaces. Sanding edges.

Soft: Universal for coarse and fine sanding, for flat and convex surfaces.

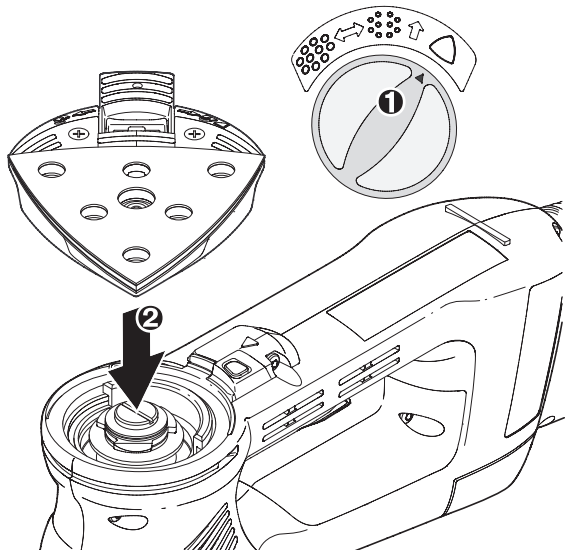
When the interface pad [1-12] is fitted on the sanding pad, strength is reduced = extra soft.

- Following the sanding pad change, switch the change-over switch [1-2] to the desired sanding motion.

Changing sanding pad - Fig. [6]

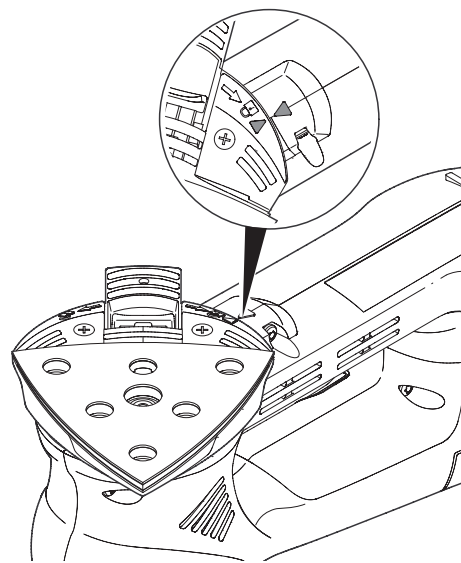
The delta sanding pad DSS-GE-STF-RO90 can be used for sanding close to borders, in corners or on edges. The slat sanding pad LSS-STF-RO90 can be used for sanding in narrow gaps, e.g. louvres.

1

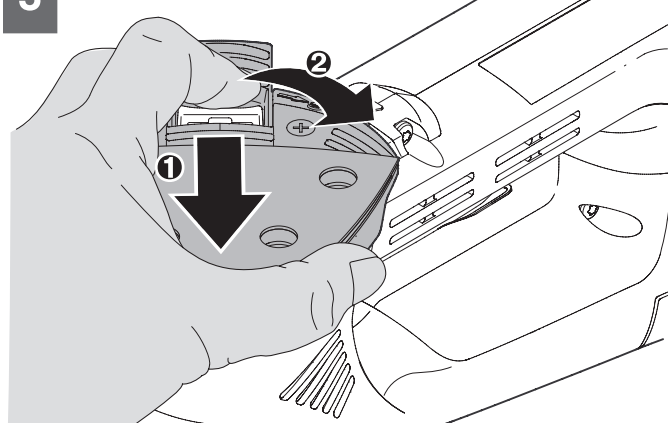


6

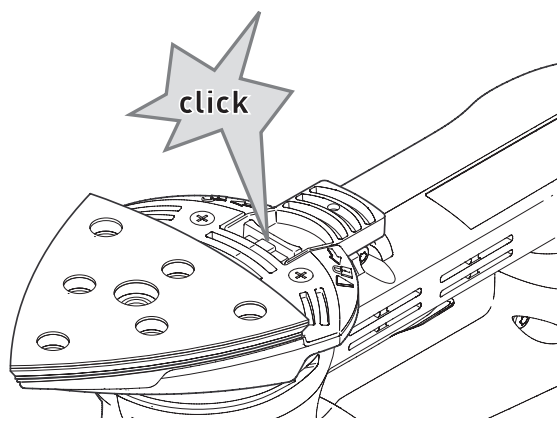
2



3



4

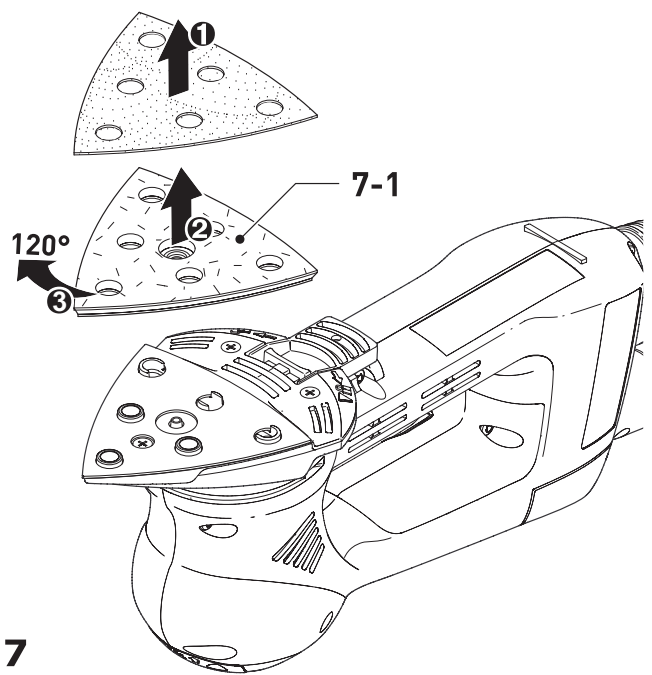


Observe the following instructions:

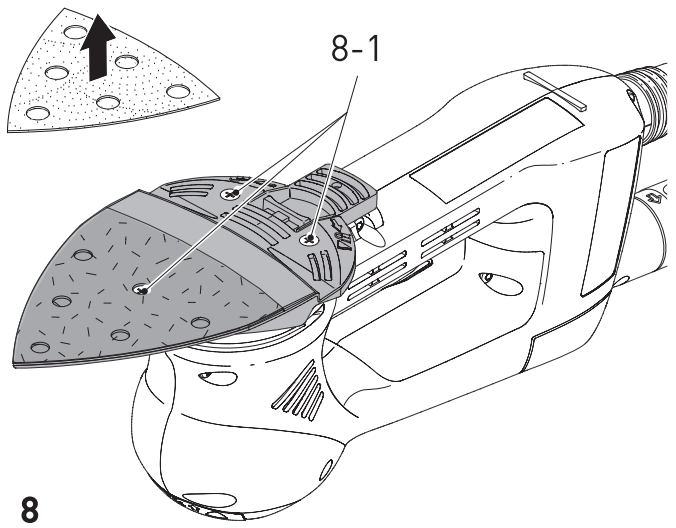
Work in corners and on edges tends to subject the tip to increased stress and results in increased heat development. In such cases, work with reduced contact pressure.

Delta sanding pad DSS-GE-STF-R090 - Fig. [7]

If the front tip of the StickFix pad [7-1] of your delta sanding pad is worn, take it off and turn it 120°.



Slat sanding pad LSS-STF-R090 - Fig. [8]



If the StickFix coating of the slat sanding pad is worn, the complete table can be replaced. Open the screws to do this [8-1].

Attaching sanding accessories

The suitable StickFix sandpaper and StickFix sanding cloth can be attached quickly and simply to the StickFix sanding pad.

- ▶ Press the self-adhesive sanding accessory onto the sanding pad [1-7].



Use only abrasives with an undamaged Stickfix hook-and-loop coating. Before use, check that the coating has not been damaged by improper use (such as overheating).

Attaching polishing accessories

To prevent damage, PoliStick accessories (polishing sponges, polishing felt, sheepskin) must only be used on the special polishing pad.

- ▶ Press the self-adhesive polishing accessory onto the sanding pad [1-9].

Dust extraction



WARNING

Dust hazard

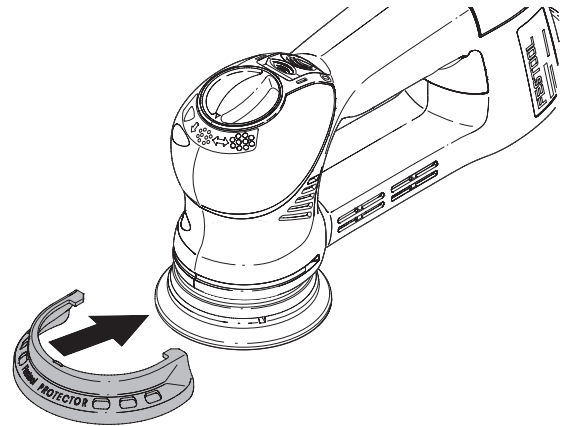
- ▶ Dust can be hazardous to health. Always work with a dust extractor.
- ▶ Always read applicable national regulations before extracting hazardous dust.

At the extractor connector [1-5], a Festool mobile dust extractor with an extraction hose diameter of 27 mm can be connected.

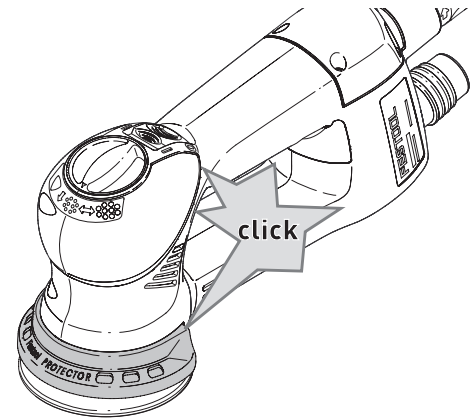
Edge protector - Fig. [9]

The edge protector [1-1] reduces contact of the sanding pad circumference with a surface

(e.g. when sanding along a wall or a window), thus preventing back-kick of the machine, or machine damage.



1



2

Working with the machine



WARNING

Risk of injury

- ▶ Always secure the workpiece in such a manner that it cannot move while being machined.

Observe the following instructions:

- Do not overload the machine by pressing with excessive force! The best sanding re-

sults are achieved with moderate application pressure. The sanding capacity and quality are mainly dependent on the selection of the correct abrasive.

- Hold the machine with two hands, one on the motor housing and one on the gear head.

ⓘ Tables A and B show the settings we recommend for different sanding and polishing work.

Service and maintenance



WARNING

Any maintenance or repair work that requires opening of the motor or gear housing should only be carried out by an authorised Customer Service Centre (name supplied by your dealer)!

► Maintenance or repair work carried out by an unauthorised person can lead to the wrong connection of the power leads or other components, which in turn can lead to accidents with serious consequences.



WARNING

To prevent accidents, always remove the plug from the power supply socket before carrying out any maintenance or repair work on the tool!

► Do not use compressed air to clean the electrical tool! Do not try to clean parts inside the tool in this way, as you could let foreign objects in through the openings of the tool housing.

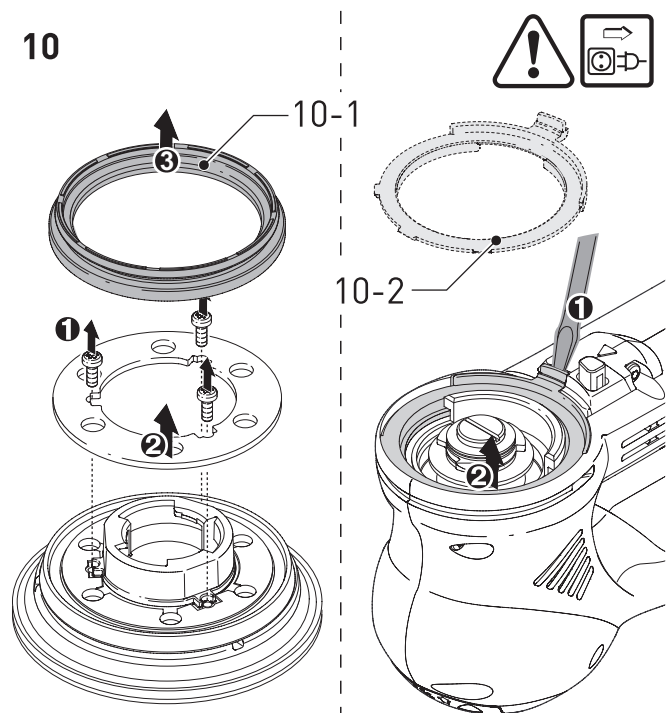
To ensure constant air circulation, always keep the cooling air openings in the motor housing clean and free of blockages.

The machine is equipped with special carbon brushes. If they are worn, the power is inter-

rupted automatically and the machine comes to a standstill.

Sanding pad brake

The rubber collar [10-1] on the sanding pad and the stop ring [10-2] on the machine prevent uncontrolled excessive turning of the sanding pad during eccentric motion (fine sanding). As these parts are subject to wear in the course of time, they must be replaced when reduced braking force is observed (for order no., see spare parts list).



Accessories

Use only original Festool accessories and Festool consumable material intended for this machine because these components are designed specifically for the machine. Using accessories and consumable material from other suppliers will most likely affect the quality of your working results and limit any warranty claims. Machine wear or your own personal workload may increase depending on the application. Protect yourself and your machine, and preserve your warranty claims by always using original Festool accessories and Festool consumable material!

Only use original sanding and polishing pads from Festool. Low-quality sanding and pol-

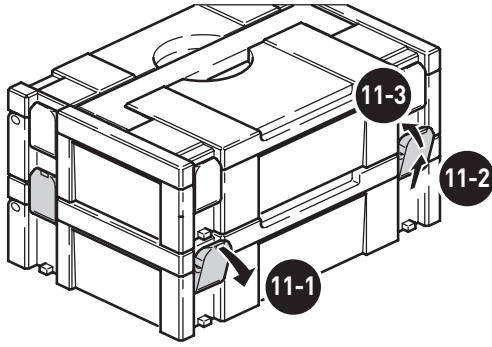
ishing pads may cause serious machine imbalance that decreases the quality of the working results and increases machine wear.

The order numbers of the accessories and tools can be found in the Festool catalogue or on the Internet under "www.festoolusa.com".

Systainer

Many Festool products are shipped in a unique system container, called "Systainer". This provides protection and storage for the tool and accessories. The Systainers are stackable and can be interlocked together. They also can be interlocked atop Festool CT dust extractors.

11



- ▶ Place one systemainer on top of the other.
- ▶ Release all four latches on the lower systemainer by pulling back at their top edges [11-1].

- ▶ Slide all four latches upward [11-2].
- ▶ Snap all four latches back to their flat position [11-3] so they engage the stacking tabs of the upper systemainer.

Disposal

Do not throw the power tool in your household waste!! Dispose of machines, accessories and packaging at an environ-

mentally responsible recycling centre. Observe the valid national regulations.

Warranty

Conditions of 1+2 Warranty

You are entitled to a free extended warranty (1 year + 2 years = 3 years) for your Festool power tool. Festool shall be responsible for all shipping costs during the first year of the warranty. During the second and third year of the warranty the customer is responsible for shipping the tool to Festool. Festool will pay for return shipping to the customer using UPS Ground Service. All warranty service is valid 3 years from the date of purchase on your receipt or invoice.

Festool Limited Warranty

This warranty is valid on the pre-condition that the tool is used and operated in compliance with the Festool operating instructions. Festool warrants, only to the original consumer purchaser, that the specified tool will be free from defects in materials and workmanship for a term of one year from the date of procurement. Festool makes no other warranty, express or implied, for Festool portable power tools. No agent, representative, distributor, dealer or employee of Festool has the authority to increase or otherwise change the obligations or limitations of this warranty. The obligations of Festool in its sole discretion under this warranty shall be limited to the repair or replacement of any Festool portable power

tool that is found to be defective as packaged with the User Manual.

Excluded from coverage under this warranty are: normal wear and tear; damages caused by misuse, abuse or neglect; damage caused by anything other than defects in material and workmanship. This warranty does not apply to accessory items such as circular saw blades, drill bits, router bits, jigsaw blades, sanding belts, and grinding wheels. Also excluded are "wearing parts", such as carbon brushes, lamellas of air tools, rubber collars and seals, sanding discs and pads, and batteries.














Festool portable power tools requiring replacement or repair are to be returned with the receipt of purchase to Festool (go to www.festoolusa.com or call 888-337-8600 for address details).










IN NO EVENT SHALL FESTOOL BE LIABLE FOR ANY CONSEQUENTIAL OR INCIDENTAL DAMAGES FOR BREACH OF THIS OR ANY OTHER WARRANTY, EXPRESSED OR IMPLIED WHATSOEVER. ALL WARRANTIES IMPLIED BY STATE LAW, INCLUDING THE IMPLIED WARRANTIES OF MERCHANTABILITY AND FITNESS FOR A PARTICULAR PURPOSE, ARE HEREBY LIMITED TO THE DURATION OF THREE YEARS.

Some states in the U.S. and some Canadian provinces do not allow the limitations on how long an implied warranty lasts, so the above limitation may not apply to you. With the exception of any warranties implied by state or province law as hereby limited, the foregoing express limited warranty is exclusive and in

lieu of all other warranties, guarantees, agreements and similar obligations of Festool.

This warranty gives you specific legal rights and you may also have other rights which vary from state to state in the U.S. and province to province in Canada.

| Table A: | | Coarse sanding | | | | Fine sanding | | | |
|--|---------------------------|---|---|---|---|--|---|---|---|
| Sanding | |  |  |  |  |  |  |  |  |
|  | Clear coat, filler, putty | x | | 5 - 6 | soft | | x | 1 - 3 | extra soft |
|  | Clear coat, paint | x | | 5 - 6 | hard | | x | 3 - 6 | hard |
|  | Wood, veneered surface | x | | 5 - 6 | hard | | x | 3 - 6 | soft |
|  | Plastic | x | x | 1-4 | soft | | x | 1 - 4 | soft/ extra soft |
|  | Steel, copper, aluminium | x | | 6 | soft | | x | 3 - 6 | soft |
| VOC | VOC coats clear | | | | | | x | 2 - 4 | extra soft - hard |

| Table B: | | | | |
|---|---|----------------------------|--------------------------------|-----------------------------|
| Polishing |  | Polishing | Sealing | High-gloss polishing |
|  |  | 6 | 3 | 4 - 6 |
| |  | Polishing pad rough/smooth | Polishing pad fine/waffle face | Sheepskin |
| |  | Polishing paste | Hard wax | - |
|  |  | 6 | 3 | 6 |
| |  | Felt hard | Felt soft | Sheepskin pad |
| |  | Polishing paste | Hard wax | - |

Sommaire

| | |
|--|----|
| Symboles..... | 17 |
| Caractéristiques techniques..... | 17 |
| Consignes de sécurité..... | 17 |
| Description fonctionnelle..... | 20 |
| Utilisation en conformité avec les instructions..... | 21 |
| Mise en service..... | 21 |
| Réglages..... | 22 |
| Travail avec la machine..... | 25 |
| Entretien et maintenance..... | 26 |
| Accessoires..... | 26 |
| Recyclage..... | 27 |
| Garantie..... | 27 |



Avertissement de danger général



Risque d'électrocution



Lire les instructions / les remarques !



Porter des lunettes de protection !



Port d'une protection acoustique !



Porter une protection respiratoire !



Débrancher la fiche secteur !

① ② ③ ...

Les numéros dans les figure montre l'ordre du pas.

1 2 3

Symboles

| | |
|-------------------|----------------------------|
| V | Volt |
| W | Watts |
| A | Ampère |
| Hz | Hertz |
| ~ | Tension alternative |
| --- | courant continu |
| d.c. | |
| n_0 | Vitesse de rotation à vide |
| | Classe II conception |
| .../min | tours ou course par minute |
| min^{-1} | |
| h | heure |
| min | minute |
| s | seconde |
| kg | kilogramme |
| \varnothing | Diamètre |
| | Information, astuce |

Caractéristiques techniques

| | |
|---|--------------------|
| Ponceuse roto-excentrique RO90 DX FEQ | |
| Puissance | 400 W |
| Vitesse de rotation | |
| Mouvement excentrique | 3000 - 7000 tr/mn |
| Mouvement rotatif Rotex | 220 - 520 tr/mn |
| Course de ponçage | 3.0 mm (0.12") |
| Plateau de ponçage FastFix | D 90 mm (3.54") |
| Poids (hors câble secteur, avec plateau de ponçage) | 1.45 kg (3.20 lbs) |
| Classe de protection | /II |

Consignes de sécurité

Consignes de sécurité d'ordre général



ATTENTION ! Lire toutes les consignes de sécurité et indications. Le non-respect des avertissements et instructions indiqués ci-après peut entraîner un

choc électrique, un incendie et/ou de graves blessures.

Conservé tous les avertissements et toutes les instructions pour pouvoir s'y reporter ultérieurement.

Le terme " outil " dans les avertissements fait référence à votre outil électrique alimenté

par le secteur (avec cordon d'alimentation) ou votre outil fonctionnant sur batterie (sans cordon d'alimentation).

1 PLACE DE TRAVAIL

- a) **Maintenez l'endroit de travail propre et bien éclairé.** *Un lieu de travail en désordre ou mal éclairé augmente le risque d'accidents.*
- b) **N'utilisez pas l'appareil dans un environnement présentant des risques d'explosion et où se trouvent des liquides, des gaz ou poussières inflammables.** *Les outils électroportatifs génèrent des étincelles risquant d'enflammer les poussières ou les vapeurs.*
- c) **Tenez les enfants et autres personnes éloignés durant l'utilisation de l'outil électroportatif.** *En cas d'inattention vous risquez de perdre le contrôle sur l'appareil.*

2 SECURITE RELATIVE AU SYSTEME ELECTRIQUE

- a) **La fiche de secteur de l'outil électroportatif doit être appropriée à la prise de courant. Ne modifiez en aucun cas la fiche. N'utilisez pas de fiches d'adaptateur avec des appareils avec mise à la terre.** *Les fiches non modifiées et les prises de courant appropriées réduisent le risque de choc électrique.*
- b) **Evitez le contact physique avec des surfaces mises à la terre tels que tuyaux, radiateurs, fours et réfrigérateurs.** *Il y a un risque élevé de choc électrique au cas où votre corps serait relié à la terre.*
- c) **N'exposez pas l'outil électroportatif à la pluie ou à l'humidité.** *La pénétration d'eau dans un outil électroportatif augmente le risque d'un choc électrique.*
- d) **N'utilisez pas le câble à d'autres fins que celles prévues, n'utilisez pas le câble pour porter l'appareil ou pour l'accrocher ou encore pour le débrancher de la prise de courant. Maintenez le câble éloigné des sources de chaleur, des parties grasses, des bords tranchants ou des parties de l'appareil en rotation.** *Un câble endommagé ou torsadé augmente le risque d'un choc électrique.*
- e) **Au cas où vous utiliseriez l'outil électroportatif à l'extérieur, utilisez une rallonge autorisée homologuée pour**

les applications extérieures. *L'utilisation d'une rallonge électrique homologuée pour les applications extérieures réduit le risque d'un choc électrique.*

- f) **Si l'usage d'un outil dans un emplacement humide est inévitable, utiliser une alimentation protégée par un dispositif à courant différentiel résiduel (RCD).** *L'usage d'un RCD réduit le risque de choc électrique.*

3 SECURITE DES PERSONNES

- a) **Restez vigilant, surveillez ce que vous faites. Faites preuve de bon en utilisant l'outil électroportatif. N'utilisez pas l'appareil lorsque vous êtes fatigué ou après avoir consommé de l'alcool, des drogues ou avoir pris des médicaments.** *Un moment d'inattention lors de l'utilisation de l'appareil peut entraîner de graves blessures sur les personnes.*
- b) **Portez des équipements de protection. Portez toujours des lunettes de protection.** *Le fait de porter des équipements de protection personnels tels que masque anti-poussières, chaussures de sécurité antidérapantes, casque de protection ou protection acoustique suivant le travail à effectuer, réduit le risque de blessures.*
- c) **Evitez une mise en service par mégarde. Assurez-vous que l'interrupteur est effectivement en position d'arrêt avant de retirer la fiche de la prise de courant.** *Le fait de porter l'appareil avec le doigt sur l'interrupteur ou de brancher l'appareil sur la source de courant lorsque l'interrupteur est en position de fonctionnement, peut entraîner des accidents.*
- d) **Enlevez tout outil de réglage ou toute clé avant de mettre l'appareil en fonctionnement.** *Une clé ou un outil se trouvant sur une partie en rotation peut causer des blessures.*
- e) **Ne surestimez pas vos capacités. Veillez à garder toujours une position stable et équilibrée.** *Ceci vous permet de mieux contrôler l'appareil dans des situations inattendues.*
- f) **Portez des vêtements appropriés. Ne portez pas de vêtements amples, ni de bijoux. Gardez les cheveux et les vêtements à distance des pièces mobiles.**

Des vêtements amples, des bijoux ou des cheveux longs peuvent être happés par les pièces en mouvement.

- g) **Si des dispositifs servant à aspirer ou à recueillir les poussières doivent être utilisés, vérifiez que ceux-ci soient effectivement raccordés et qu'ils sont correctement utilisés.** *L'utilisation de tels dispositifs réduit les dangers dus aux poussières.*

4 UTILISATION ET EMPLOI SOIGNEUX DE L'OUTIL ELECTROPORATIF

- a) **Ne surchargez pas l'appareil. Utilisez l'outil électroportatif approprié au travail à effectuer.** *Avec l'outil électroportatif approprié, vous travaillerez mieux et avec plus de sécurité à la vitesse pour laquelle il est prévu.*
- b) **N'utilisez pas un outil électroportatif dont l'interrupteur est défectueux.** *Un outil électroportatif qui ne peut plus être mis en ou hors fonctionnement est dangereux et doit être réparé.*
- c) **Retirez la fiche de la prise de courant avant d'effectuer des réglages sur l'appareil, de changer les accessoires, ou de ranger l'appareil.** *Cette mesure de précaution empêche une mise en fonctionnement par mégarde.*
- d) **Gardez les outils électroportatifs non utilisés hors de portée des enfants. Ne permettez pas l'utilisation de l'appareil à des personnes qui ne se sont pas familiarisées avec celui-ci ou qui n'ont pas lu ces instructions.** *Les outils électroportatifs sont dangereux lorsqu'ils sont utilisés par des personnes non initiées.*
- e) **Prenez soin des outils électroportatifs. Vérifiez que les parties en mouvement fonctionnent correctement et qu'elles ne soient pas coincées, et contrôlez si des parties sont cassées ou endommagées de telle sorte que le bon fonctionnement de l'appareil s'en trouve entravé. Faites réparer les parties endommagées avant d'utiliser l'appareil.** *De nombreux accidents sont dus à des outils électroportatifs mal entretenus.*
- f) **Maintenez les outils de coupe aiguisés et propres.** *Des outils soigneusement entretenus avec des bords tranchants bien*

aiguisés se coincent moins souvent et peuvent être guidés plus facilement.

- g) **Utilisez les outils électroportatifs, les accessoires, les outils à monter etc. conformément à ces instructions et aux prescriptions en vigueur pour ce type d'appareil. Tenez compte également des conditions de travail et du travail à effectuer.** *L'utilisation des outils électroportatifs à d'autres fins que celles prévues peut entraîner des situations dangereuses.*
- h) **Gardez les poignées dans un état sec, propre et exempt d'huile et de graisse.** *Des poignées glissantes ne permettent pas une prise en main sûre et le contrôle de l'outil électrique dans des situations inattendues.*

5 UTILISATION ET EMPLOI SOIGNEUX DES APPAREILS SANS FIL

- a) **Ne chargez les accumulateurs que dans des chargeurs recommandés par le fabricant.** *Un chargeur approprié à un type spécifique d'accumulateur peut engendrer un risque d'incendie lorsqu'il est utilisé avec d'autres accumulateurs.*
- b) **Dans les outils électroportatifs, n'utilisez que les accumulateurs spécialement prévus pour celui-ci.** *L'utilisation de tout autre accumulateur peut entraîner des blessures et des risques d'incendie.*
- c) **Tenez l'accumulateur non-utilisé à l'écart de toutes sortes d'objets métalliques tels qu'agrafes, pièces de monnaie, clés, clous, vis ou autres, étant donné qu'un pontage peut provoquer un court-circuit.** *Un court-circuit entre les contacts d'accu peut provoquer des brûlures ou un incendie.*
- d) **En cas d'utilisation abusive, du liquide peut sortir de l'accumulateur. Évitez tout contact avec ce liquide. En cas de contact par mégarde, rincez soigneusement avec de l'eau. Au cas où le liquide rentrerait dans les yeux, consultez en plus un médecin.** *Le liquide qui sort de l'accumulateur peut entraîner des irritations de la peau ou causer des brûlures.*

6 SERVICE

- a) **Ne faites réparer votre outil électroportatif que par un personnel qualifié et seulement avec des pièces de re-**

change d'origine. Ceci permet d'assurer la sécurité de l'appareil.

Consignes de sécurité spécifiques à la machine

- **Au cours du travail, des poussières nocives/toxiques peuvent être générées (comme les poussières de peintures au plomb ou certaines poussières de bois ou de métal).** Le contact ou l'inhalation de ces poussières peut présenter un danger pour l'utilisateur ou les personnes se trouvant à proximité. Veuillez respecter les prescriptions de sécurité en vigueur dans votre pays. Raccordez l'outil électrique à un dispositif d'aspiration adapté.



Pour votre santé, portez un masque de protection respiratoire de classe P2.



Portez systématiquement des lunettes de protection pour vous protéger des risques inhérents au ponçage.

- **Évitez l'infiltration de produit de polissage liquide dans l'appareil.** L'infiltration de produit de polissage liquide dans un outil électrique augmente le risque de décharge électrique.

Travail sur métaux



Pour des raisons de sécurité, respectez les mesures suivantes lorsque vous travaillez sur des métaux :

- Installez en amont de l'appareil un disjoncteur à courant de défaut (FI, PRCD).
- Raccordez l'outil à un aspirateur approprié.
- Nettoyez régulièrement les dépôts de poussières accumulés dans le carter moteur.



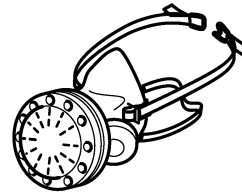
Porter des lunettes de protection !

La poussière, un risque pour la santé



AVERTISSEMENT! Certaines poussières créées par le ponçage mécanique, le sciage, le meulage, le perçage et autres activités reliées à la construction contiennent des substances chimiques connues (dans l'État de la Californie) comme pouvant causer le cancer, des anomalies congénitales ou représenter d'autres dangers pour la reproduction. Voici quelques exemples de telles substances:

- plomb provenant de peintures à base de plomb,
- silice cristallisée utilisée dans les briques, le ciment et autres matériaux de maçonnerie, et
- arsenic et chrome du bois d'oeuvre traité avec un produit chimique.



Le risque d'exposition à de tels produits varie selon la fréquence à laquelle vous faites ce genre de travail. Pour réduire les risques d'exposition à ces substan-

ces chimiques : travaillez dans un endroit adéquatement ventilé et utilisez un équipement de sécurité approuvé, tel que masques antipoussières spécialement conçus pour filtrer les particules microscopiques.



AVERTISSEMENT

POUR RÉDUIRE LE RISQUE DE DOMMAGES, L'UTILISATEUR DOIT LIRE LE MANUEL D'INSTRUCTION.

Description fonctionnelle

Des éléments fournis sont disponibles sur le volet qui se trouve au début de cette notice d'utilisation. Vous pouvez ainsi déplier cette page et visualiser en permanence les différentes parties de l'outil lorsque vous lisez la notice.

[1-1] Capot de protection

[1-2] Commutateur/blocage de broche

[1-3] Interrupteur de marche/arrêt

[1-4] Câble de raccordement secteur

[1-5] Raccord d'aspiration

[1-6] Régulation de la vitesse

[1-7] Plateau de ponçage

[1-8] Tige de blocage

[1-9] Plateau de polissage*

- [1-10] Patin de ponçage Delta
- [1-11] Patin de ponçage pour lamelles*
- [1-12] Pad d'interface*

* pas compris dans le volume de livraison pour toutes les variantes

Utilisation en conformité avec les instructions

Cet outil a été conçu pour le ponçage et le polissage des matériaux suivants : plastique, métal, bois, aggloméré, peinture/laque, mastic et matériaux similaires. L'usinage de l'amiante est formellement interdit.

Afin de garantir la sécurité électrique, elle ne doit pas être mouillée ou utilisée en environnement humide. Cet outil doit être exclusivement utilisé pour le ponçage à sec.



AVERTISSEMENT

Seul l'utilisateur est tenu responsable des dommages qui résulteraient d'une utilisation non conforme aux prescriptions.

Mise en service

Attention aux illustrations au début de la présente notice d'utilisation.



AVERTISSEMENT

Tension ou fréquence non admissible ! Risque d'accident

- ▶ La tension et la fréquence d'alimentation électrique doivent être conformes aux indications de la plaque signalétique.
- ▶ En Amérique du nord, utilisez uniquement les outils Festool fonctionnant sous une tension de 120 V/60 Hz.

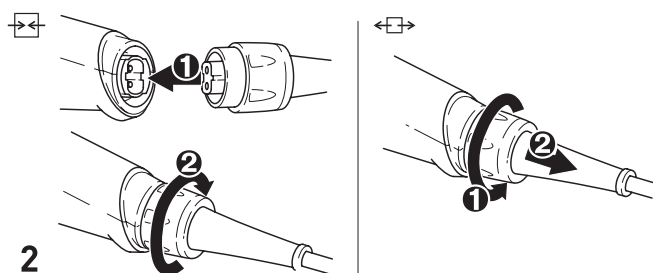


AVERTISSEMENT

Risques de blessures, choc électrique

- ▶ Avant toute intervention sur la machine, débranchez la prise.

Voir en figure [2] a connexion et la déconnexion du câble de raccordement [1-4] au secteur.



L'interrupteur [1-3] fait office d'interrupteur marche/arrêt (I = MARCHE, 0 = ARRÊT).

- ① L'interrupteur ne fonctionne que si le commutateur [1-2] est bien enclenché.
- ① Si une panne de courant se produit ou que la prise secteur est débranchée, mettre immédiatement l'interrupteur marche/arrêt en position d'arrêt. Ceci permet d'éviter tout redémarrage intempestif.

Rallonge électrique

Si une rallonge électrique est nécessaire, elle doit présenter une section suffisante afin d'éviter une chute de tension excessive ou une surchauffe. Une chute de tension excessive réduit la puissance et peut entraîner la destruction du moteur. Le tableau ci-dessous vous présente la section correcte de la rallonge en fonction de sa longueur pour cette appareil.

Utilisez exclusivement des rallonges recommandées par U.L. et CSA.

| | | | | |
|--|----|----|-----|-----|
| Longueur totale de la rallonge (pieds) | 25 | 50 | 100 | 150 |
| Section de la rallonge (AWG) | 18 | 16 | 16 | 14 |

N'utilisez jamais deux rallonges raccordées l'une à l'autre, mais remplacez-les par une rallonge plus longue.

① Plus le calibre AWG est bas, plus le câble est résistant.

Réglages

Attention aux illustrations au début de la présente notice d'utilisation.



AVERTISSEMENT

Risques de blessures, choc électrique

► Avant toute intervention sur la machine, débranchez la prise.

Régulation électronique

La machine dispose d'un système électronique à ondes pleines avec les propriétés suivantes :

Démarrage progressif

Le démarrage progressif assure un fonctionnement sans à-coups de la machine.

Régulation de la vitesse

La molette [1-6] permet de régler en continu la vitesse de rotation dans la plage de régimes (voir Caractéristiques techniques). Vous pouvez ainsi adapter de façon optimale la vitesse à chaque surface (voir tableau).

Vitesse de rotation constante

La vitesse sélectionnée est maintenue constante de manière électronique. Elle reste donc homogène, même lorsque l'outil est fortement sollicité.

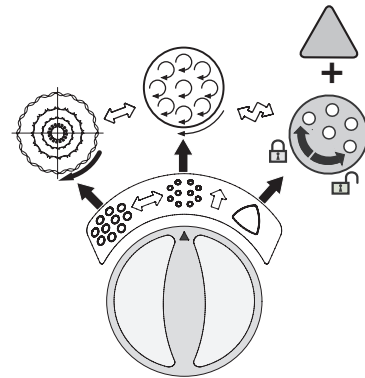
Sécurité thermique

L'alimentation électrique et la vitesse de rotation sont réduites en cas de température trop élevée du moteur. La machine ne fonctionne plus qu'à une puissance réduite, afin de permettre un refroidissement rapide du moteur. Si la surtempérature perdure, la ma-

chine s'arrête complètement après env. 40 s. Une nouvelle mise en marche n'est possible qu'après refroidissement du moteur.

Réglage du mouvement de ponçage - Fig. [3]

3



Le commutateur [1-2] permet de choisir entre trois mouvements de ponçage différents.

① Le plateau de ponçage doit être immobilisé pour agir sur le commutateur. Lorsque le plateau est en mouvement, le commutateur est en effet verrouillé.

Ponçage dégrossissant, polissage - mouvement rotatif ROTEX



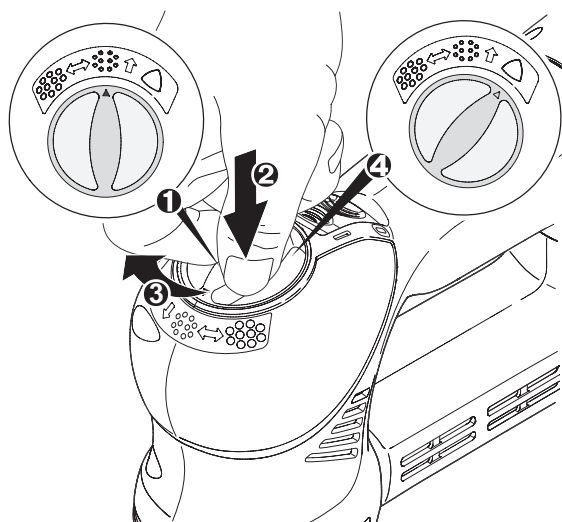
Le mouvement rotatif Rotex est une combinaison de mouvements rotatifs et excentriques. Cette position est conçue pour le ponçage dégrossissant (grosier) et le polissage.

Ponçage fin - mouvement excentrique



Cette position est conçue pour un ponçage dégrossissant moins puissant, qui évite les rayures superficielles (ponçage fin).

Ponçage triangulaire et changement de plateau - Fig. [4]



4



Cette position est réservée au ponçage avec le patin de ponçage Delta et le patin de ponçage pour lamelles. Le mouvement de rotation est alors bloqué.

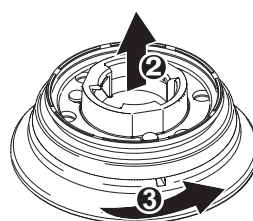
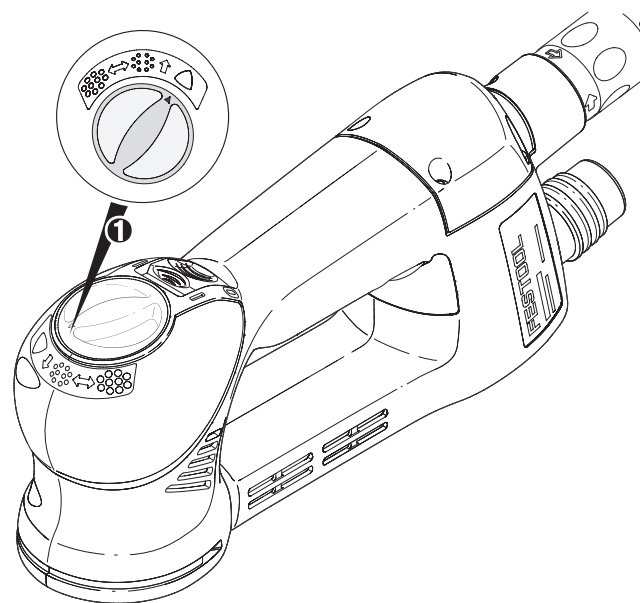


Cette position sert à changer de plateau de ponçage ou de patin de ponçage.

- ① La tige de blocage [1-8] rend le montage d'un patin de ponçage impossible lorsque le commutateur est en position de mouvement rotatif ROTEX ou de mouvement excentrique.

Changement de plateau de ponçage/polissage - Fig. [5]

- ① Utilisez exclusivement des plateaux de ponçage et de polissage pouvant supporter la vitesse de rotation maximale indiquée.



5



En fonction de la surface à traiter, cet appareil peut être équipé de deux plateaux de ponçage de duretés différentes.

Surfaces dures : ponçage dégrossissant et ponçage fin sur des surfaces. Ponçage des chants.

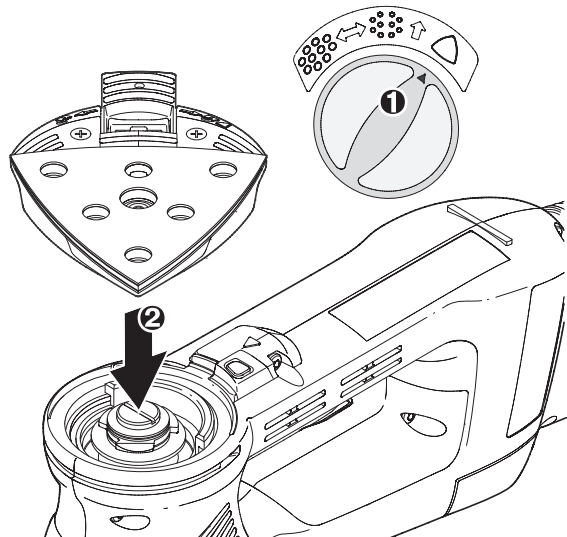
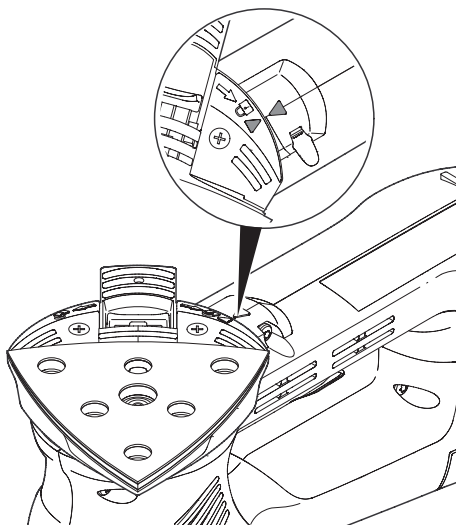
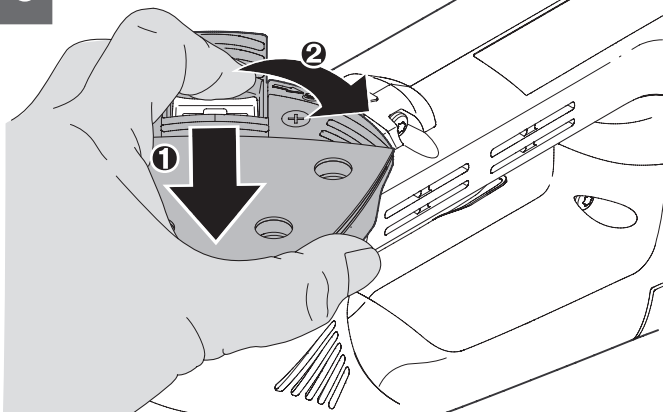
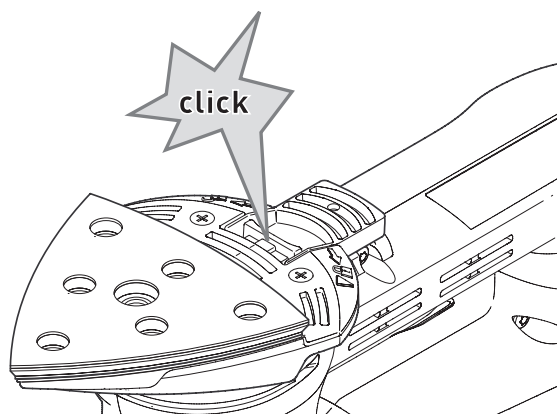
Surfaces tendres : accessoire universel pour ponçage dégrossissant et ponçage fin, pour surfaces planes et incurvées.

Le fait de placer le pad d'interface [1-12] sur le plateau de ponçage altère la résistance = support super tendre.

- Après avoir changé de plateau, réglez le commutateur [1-2] en fonction du mouvement de ponçage souhaité.

Changement de patin de ponçage - Fig. [6]

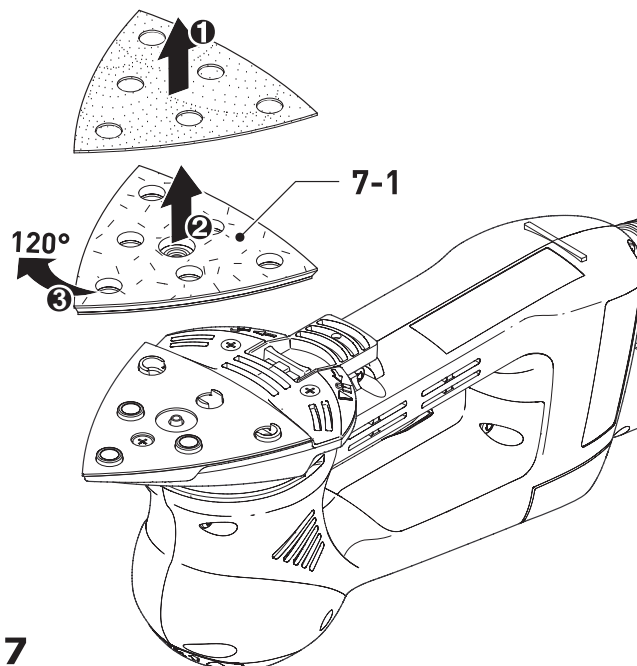
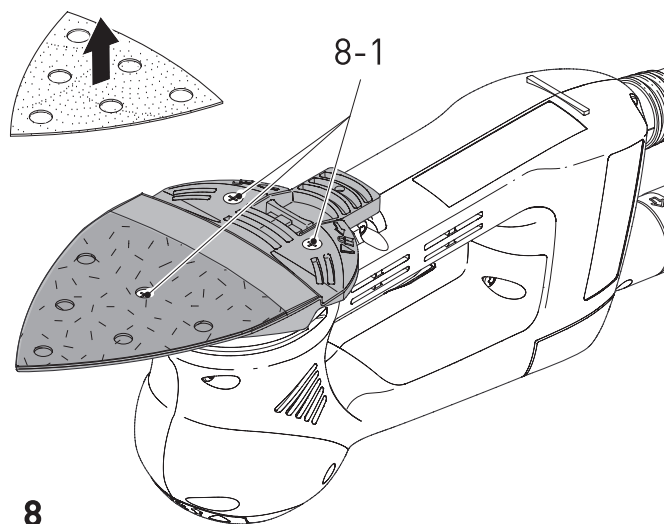
Le patin de ponçage Delta DSS-GE-STF-RO90 permet de poncer près des bord, dans les coins ou sur les chants. Le patin de ponçage pour lamelles LSS-STF-RO90 sert quant à lui à intervenir dans les interstices, par exemple les persiennes.

1**6****2****3****4****Observez les consignes suivantes :**

Le fait d'intervenir dans les angles et sur les chants sollicite ponctuellement la pointe et produit un fort dégagement de chaleur. Vous devez donc exercer moins de pression.

Patin de ponçage Delta DSS-GE-STF-RO90- Fig. [7]

Si la pointe avant du pad StickFix [7-1] de votre patin de ponçage Delta est usée, retirez-la et tournez le patin de 120°.

**Patin de ponçage pour lamelles LSS-STF-RO90- Fig. [8]**

Si le revêtement StickFix du patin de ponçage pour lamelles est usé, il est possible de changer le support dans son ensemble. Pour cela, dévissez les vis [8-1].

Fixation des accessoires de ponçage

Le plateau et le patin de ponçage StickFix permettent de fixer des abrasifs et des feutres StickFix adaptés de manière simple et rapide.

- ▶ Placez l'accessoire de ponçage auto-agrippant sur le plateau de ponçage [1-7] et appuyez bien.



Utilisez uniquement des patins Stickfix dont l'état de la surface auto-agrippante est impeccable. Avant l'utilisation, vérifiez si la surface n'a pas subi de dégradation suite à un échauffement.

Fixation de l'accessoire de polissage

Pour éviter tout dommage, il convient d'utiliser exclusivement le plateau de polissage spécifique pour fixer les accessoires PoliStick (éponge, feutre, peau de mouton).

- ▶ Placez l'accessoire de polissage auto-agrippant sur le plateau de polissage [1-9] et appuyez bien.

Aspiration



AVERTISSEMENT

Risques pour la santé dus aux poussières

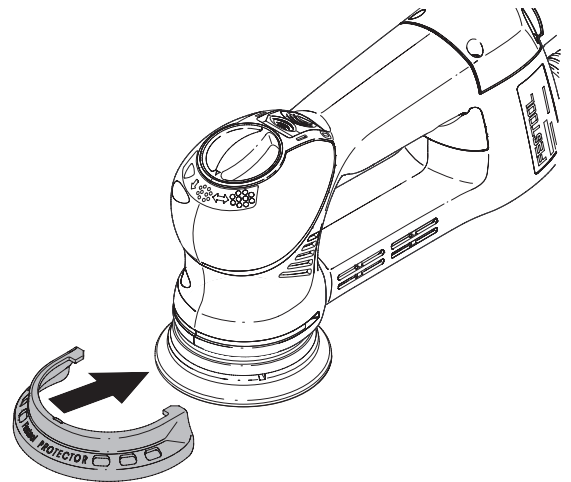
- ▶ Les poussières peuvent être dangereuses pour la santé. Pour cette raison, ne travaillez jamais sans aspiration.
- ▶ Respectez toujours les prescriptions nationales en vigueur lors de l'aspiration de poussières dangereuses pour la santé.

Le raccord d'aspiration [1-5] permet de raccorder un aspirateur Festool avec tuyau d'aspiration de 27 mm de diamètre.

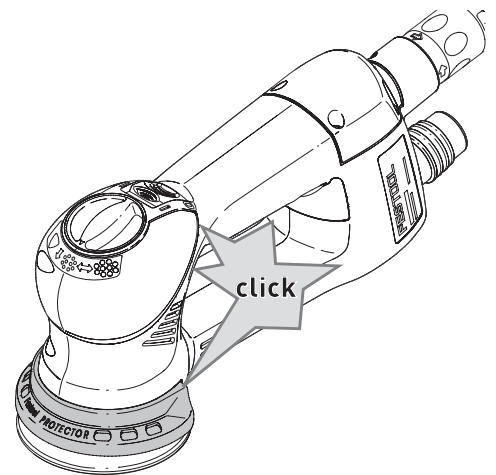
Protection pour chants (Protector) - Fig. [9]

La protection pour chants [1-1] évite que la circonférence du plateau de ponçage ne touche une surface (par ex. lors du ponçage le long d'un mur ou d'une fenêtre) et ne provoque un rebond de l'outil, voire des dommages.

9



1



2

Travail avec la machine



AVERTISSEMENT

Risques de blessures

- ▶ Fixer la pièce à usiner de manière à ce qu'elle ne puisse pas bouger pendant le traitement.

Observez les consignes suivantes :

- Ne surchargez pas l'outil : n'exercez pas de pression trop importante ! Pour obtenir

des résultats optimaux, il convient d'exercer une pression modérée. Les performances de ponçage et la qualité du ponçage dépendent essentiellement du choix de l'abrasif.

- Pour guider l'outil de façon sûre, maintenez-le avec les deux mains au niveau du carter du moteur et de la tête de carter.
- ① Les tableaux A et B montrent les réglages préconisés pour différents travaux de ponçage et de polissage.

Entretien et maintenance



AVERTISSEMENT

Tout travail de maintenance ou de réparation, qui nécessite l'ouverture du moteur ou du carter d'engrenages doit uniquement être effectué par un centre service-client autorisé (nom fourni par votre revendeur) !

- Les travaux de maintenance ou de réparation effectués par un personnel non autorisé peuvent conduire à la mauvaise connexion de câbles d'alimentation ou d'autres composants, ce qui peut entraîner à son tour des accidents avec des conséquences graves.



AVERTISSEMENT

Pour éviter les accidents, retirez toujours la fiche mâle de la prise d'alimentation électrique avant d'effectuer tout travail de maintenance ou de réparation sur la machine !

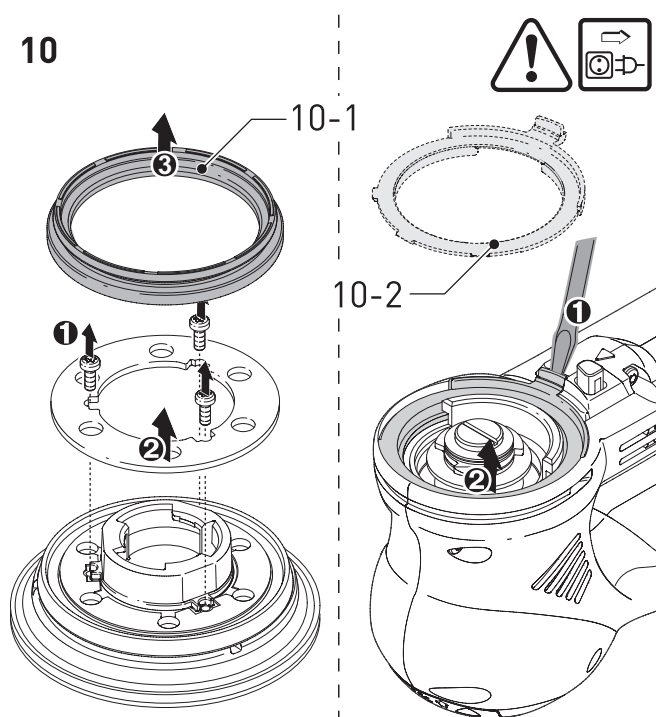
- N'utilisez pas d'air comprimé pour nettoyer l'outil électrique ! N'essayez pas de nettoyer des parties à l'intérieur de la machine de cette façon, étant donné que des corps étrangers pourraient pénétrer dans les ouvertures du carter de la machine.

Pour assurer la circulation de l'air, il est impératif que les ouïes de ventilation du carter moteur soient maintenues dégagées et propres.

L'appareil est équipé de charbons spéciaux à coupure automatique. Lorsque ceux-ci sont usés, l'alimentation est coupée et l'appareil s'arrête.

Frein de plateau

La rondelle en caoutchouc [10-1] du plateau de ponçage et la bague d'arrêt [10-2] de l'outil évitent que le plateau ne s'emballé lors du mouvement excentrique (ponçage fin). Ces composants tendent à s'user au fil du temps et doivent donc être remplacés lorsque leur effet de freinage se fait moins efficace (voir la nomenclature des pièces de rechange pour la référence).



Accessoires

Utilisez uniquement les accessoires Festool et consommables Festool d'origine prévus pour cette machine, car ces composants systèmes sont parfaitement adaptés les uns par rapport aux autres. Si vous utilisez des accessoires et consommables d'autres marques, la qualité du résultat peut être dégradée et les recours en garantie peuvent être soumis à des restrictions. L'usure de la machine ou votre charge personnelle peuvent augmenter selon chaque application. Pour cette raison, protégez-vous, votre machine

et vos droits à la garantie en utilisant exclusivement des accessoires Festool et des consommables Festool d'origine !

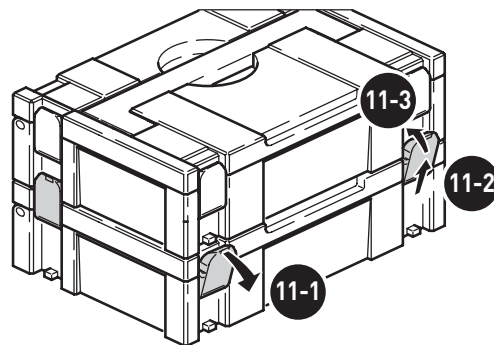
Utilisez uniquement des plateaux de ponçage et de polissage d'origine (de marque Festool). L'utilisation de plateaux de ponçage et de polissage de moindre qualité peut provoquer un balourd considérable, entraînant une dégradation de la qualité du résultat et une usure prématurée de l'outil.

Les références des accessoires et des outils figurent dans le catalogue Festool ou sur Internet sous "www.festoolusa.com".

Systainer

De nombreux produits Festool sont fournis dans une caisse exclusive, appelée "Systainer". Celle-ci permet de protéger et de ranger des outils et des appareils complémentaires. Les Systainer sont empilables et peuvent être solidarisés. En outre, il se fixent sur les aspirateurs CT Festool.

11



- ▶ Poser deux Systainer l'un sur l'autre.
- ▶ Défaire les quatre éléments de verrouillage du Systainer inférieur en les tirant en arrière par leur bord supérieur [11-1].
- ▶ Pousser les quatre éléments de verrouillage vers le haut [11-2].
- ▶ Manoeuvrer les quatre éléments de verrouillage [11-3] de sorte qu'ils s'enclenchent au niveau des éléments récepteurs du Systainer supérieur..

Recyclage

Ne jetez pas les outils électriques avec les ordures ménagères! Éliminez les appareils, les accessoires et les emballages de fa-

çon compatible avec l'environnement. Respectez en cela les dispositions nationales en vigueur .

Garantie

Conditions de la garantie (1+2 ans)

Vous avez droit à une prolongation de garantie gratuite (1 an + 2 ans = 3 ans) sur votre outil électrique Festool. Festool assumera tous les coûts d'expédition pendant la première année de la garantie alors que les deuxième et troisième années, les coûts devront être assumés par le client. Festool paiera les frais de retour de l'outil au client par service de livraison terrestre UPS. La garantie est valable pour une période de 3 ans à compter de la date d'achat indiquée sur votre reçu ou votre facture.

Garantie limitée de Festool

Cette garantie est valable à condition que l'outil soit utilisé conformément aux instructions de Festool. Festool garantit, à l'acheteur initial seulement, que l'outil indiqué sera exempt de tout défaut de matériau et de fabrication pendant un an à compter de la date d'achat. Festool ne donne aucune garantie

supplémentaire, implicite ou explicite, sur les instruments portables électriques Festool. Aucun agent, représentant commercial, distributeur, vendeur ou employé de Festool n'est autorisé à prolonger ou à modifier les obligations ou restrictions de la présente garantie. Les obligations de Festool sont, à son entière discrétion, limitées à la réparation ou à l'échange des outils portables électriques Festool trouvés défectueux dans le présent emballage, tels que fournis avec le présent Guide d'utilisation.

Cette garantie exclut l'usure normale, les dommages causés par un usage impropre, les abus ou la négligence, ou tout dommage autre que ceux attribuables à des défauts de matériau et de fabrication. Cette garantie ne s'applique pas aux accessoires tels que lames de scie circulaire, mèches de perceuse et vilebrequin, lames de scie sauteuse, bandes abrasives et meules. Sont également exclues les pièces d'usure, telles que balais de

charbon, lamelles pour outils à air comprimé, joints et manchons de caoutchouc, disques et patins ponceurs, ainsi que les piles.

Les outils électriques portables Festool à remplacer ou à réparer doivent être retournés avec le reçu d'achat à Festool (voyez www.festoolusa.com ou appelez au 888-337-8600 pour connaître l'adresse d'expédition).

FESTOOL N'EST EN AUCUN CAS RESPONSABLE DES DOMMAGES DIRECTS OU INDIRECTS, IMPLICITES OU EXPLICITES, DÉCOULANT DE LA RUPTURE DE CETTE GARANTIE OU DE TOUTE AUTRE GARANTIE. TOUTES LES GARANTIES IMPLICITES, Y COMPRIS LES GARANTIES IMPLICITES DE QUALITÉ MARCHANDE ET D'ADÉQUATION À UN USAGE PARTICU-






LIER, SONT LIMITÉES À UNE PÉRIODE DE TROIS ANS.

Certains états américains et certaines provinces canadiennes ne permettent pas la limitation des garanties implicites; il se pourrait donc que les limites indiquées ci-dessus ne s'appliquent pas dans votre cas. À l'exception de certaines garanties implicites des provinces ou des états indiquées ici, la présente garantie est exclusive et remplace toute autre garantie, convention et obligation similaire de Festool.

Cette garantie vous confère des droits légaux spécifiques, et vous pouvez aussi avoir d'autres droits pouvant varier d'un état à l'autre, ou d'une province à l'autre au Canada.









| Tableau A : | | Ponçage dégrossissant | | | | Ponçage fin | | | |
|--------------------------|---|-----------------------|-------|--------|--|-------------|-------|-------------------------|--|
| Ponçage | | | | | | | | | |
| Laque, apprêt, mastic | x | | 5 - 6 | Tendre | | x | 1 - 3 | Super tendre | |
| Laque, peinture | x | | 5 - 6 | Dur | | x | 3 - 6 | Dur | |
| Bois, placage | x | | 5 - 6 | Dur | | x | 3 - 6 | Tendre | |
| Plastique | x | x | 1-4 | Tendre | | x | 1 - 4 | Tendre/ super tendre | |
| Acier, cuivre, aluminium | x | | 6 | Tendre | | x | 3 - 6 | Tendre | |
| Laques contenant des COV | | | | | | x | 2 - 4 | Super tendre - dur | |

| Tableau B : | | | | |
|-------------|--|-----------------------|---------------------|------------------|
| Polissage | | Polissage | Bouchage des pores | Polissage miroir |
| Laque | | 6 | 3 | 4 - 6 |
| | | Éponge grossière/fine | Éponge fine/gaufrée | Peau de mouton |
| | | Pâte de polissage | Cire dure | - |


| Tableau B : | | | | |
|--|---|-------------------|---------------------------|-------------------------|
| Polissage |  | Polissage | Bouchage des pores | Polissage miroir |
| Plastique  |  | 6 | 3 | 6 |
| |  | Feutre Dur | Feutre Tendre | Peau de mouton |
| |  | Pâte de polissage | Cire dure | - |




Índice

| | |
|-----------------------------------|----|
| Símbolos | 30 |
| Datos técnicos..... | 30 |
| Indicaciones de seguridad | 30 |
| Descripción de las funciones..... | 33 |
| Uso conforme a lo previsto..... | 34 |
| Puesta en servicio..... | 34 |
| Ajustes..... | 35 |
| Trabajo con la máquina..... | 38 |
| Mantenimiento y cuidado | 39 |
| Accesorios | 39 |
| Reciclaje..... | 40 |
| Garantía | 40 |

-  Indicación, consejo
-  Aviso ante un peligro general
-  Peligro de electrocución
-  ¡Leer las instrucciones e indicaciones!
-  ¡Utilizar gafas de protección!
-  ¡Usar protección para los oídos!
-  ¡Utilizar protección respiratoria!
-  Desenchufar!


Símbolos

| | |
|---|----------------------------------|
| V | Voltios |
| W | Vatios |
| A | Amperios |
| Hz | Hertzios |
| ~ | Tensión alterna |
| --- | Corriente directa |
| d.c. | |
| n_0 | Revoluciones por minuto en vacío |
|  | Clase II Constucción |
| .../min | Revoluciones por minuto |
| min^{-1} | |
| h | hora |
| min | minuto |
| s | segundo |
| kg | kilogramo |
| \varnothing | Diámetro |

   ... Los numeros en las figuras indican el orden en cual se debe hacer los pasos.




Datos técnicos

| Lijadora excéntrica de engranaje | RO90 DX FEQ |
|--|---|
| Potencia | 400 W |
| Número de revoluciones | |
| Movimiento excéntrico | 3000 - 7000 rpm |
| Trazado en curva Rotex | 220 - 520 rpm |
| Órbita | 3.0 mm (0.12") |
| Plato lijador FastFix | D 90 mm (3.54") |
| Peso (sin cable de red, con plato lijador) | 1.45 kg (3.20 lbs) |
| Clase de protección |  /II |

Indicaciones de seguridad

Indicaciones de seguridad generales

 **¡ATENCIÓN!** Lea íntegramente las **instrucciones e indicaciones de seguridad**. El incumplimiento de dichas instrucciones e indicaciones puede dar lugar a descargas eléctricas, incendios o lesiones graves.

Guardar todas las advertencias de peligro e instrucciones para futuras consultas.

El término herramienta eléctrica empleado en las siguientes advertencias de peligro se refiere a herramientas eléctricas de conexión a la red (con cable de red) y a herramientas

eléctricas accionadas por acumulador (o sea, sin cable de red).

1 PUESTO DE TRABAJO

- a) **Mantenga limpio y bien iluminado su puesto de trabajo.** *El desorden y una iluminación deficiente en las áreas de trabajo pueden provocar accidentes.*
- b) **No utilice la herramienta eléctrica en un entorno con peligro de explosión, en el que se encuentren combustibles líquidos, gases o material en polvo.** *Las herramientas eléctricas producen chispas que pueden llegar a inflamar los materiales en polvo o vapores.*
- c) **Mantenga alejados a los niños y otras personas de su puesto de trabajo al emplear la herramienta eléctrica.** *Una distracción le puede hacer perder el control sobre el aparato.*

2 SEGURIDAD ELÉCTRICA

- a) **El enchufe del aparato debe corresponder a la toma de corriente utilizada. No es admisible modificar el enchufe en forma alguna. No emplear adaptadores en aparatos dotados con una toma de tierra.** *Los enchufes sin modificar adecuados a las respectivas tomas de corriente reducen el riesgo de una descarga eléctrica.*
- b) **Evite que su cuerpo toque partes conectadas a tierra como tuberías, radiadores, cocinas y refrigeradores.** *El riesgo a quedar expuesto a una sacudida eléctrica es mayor si su cuerpo tiene contacto con tierra.*
- c) **No exponga las herramientas eléctricas a la lluvia y evite que penetren líquidos en su interior.** *Existe el peligro de recibir una descarga eléctrica si penetran ciertos líquidos en la herramienta eléctrica.*
- d) **No utilice el cable de red para transportar o colgar el aparato, ni tire de él para sacar el enchufe de la toma de corriente. Mantenga el cable de red alejado del calor, aceite, esquinas cortantes o piezas móviles.** *Los cables de red dañados o enredados pueden provocar una descarga eléctrica.*
- e) **Al trabajar con la herramienta eléctrica en la intemperie utilice solamente cables de prolongación homologados para su uso en exteriores.** *La utilización*

de un cable de prolongación adecuado para su uso en exteriores reduce el riesgo de una descarga eléctrica.

- f) **Si fuese imprescindible utilizar la herramienta eléctrica en un entorno húmedo, es necesario conectarla a través de un fusible diferencial.** *La aplicación de un fusible diferencial reduce el riesgo a exponerse a una descarga eléctrica.*

3 SEGURIDAD DE PERSONAS

- a) **Esté atento a lo que hace y emplee la herramienta eléctrica con prudencia. No utilice la herramienta eléctrica si estuviese cansado, ni tampoco después de haber consumido alcohol, drogas o medicamentos.** *El no estar atento durante el uso de una herramienta eléctrica puede provocarle serias lesiones.*
- b) **Utilice un equipo de protección y en todo caso unas gafas de protección.** *El riesgo a lesionarse se reduce considerablemente si, dependiendo del tipo y la aplicación de la herramienta eléctrica empleada, se utiliza un equipo de protección adecuado como una mascarilla antipolvo, zapatos de seguridad con suela antideslizante, casco, o protectores auditivos.*
- c) **Evite una puesta en marcha fortuita del aparato. Cerciorarse de que el aparato esté desconectado antes conectarlo a la toma de corriente.** *Si transporta el aparato sujetándolo por el interruptor de conexión/desconexión, o si introduce el enchufe en la toma de corriente con el aparato conectado, ello puede dar lugar a un accidente.*
- d) **Retire las herramientas de ajuste o llaves fijas antes de conectar la herramienta eléctrica.** *Una herramienta o llave colocada en una pieza rotante puede producir lesiones al ponerse a funcionar.*
- e) **Sea precavido. Trabaje sobre una base firme y mantenga el equilibrio en todo momento.** *Ello le permitirá controlar mejor la herramienta eléctrica en caso de presentarse una situación inesperada.*
- f) **Utilice ropa adecuada. No utilice ropa ancha ni objetos de joyería o bisutería.** *Mantenga el pelo y la ropa alejada de las piezas en movimiento. La ropa*

suelta o el pelo largo pueden quedar atrapados por piezas en movimiento.

- g) **Siempre que sea posible utilizar unos equipos de aspiración o captación de polvo, asegúrese que éstos estén montados y que sean utilizados correctamente.** *El empleo de estos equipos reduce los riesgos derivados del polvo.*

4 TRATO Y USO CUIDADOSO DE HERRAMIENTAS ELÉCTRICAS

- a) **No sobrecargue el aparato. Use la herramienta prevista para el trabajo a realizar.** *Con la herramienta adecuada podrá trabajar mejor y más seguro dentro del margen de potencia indicado.*
- b) **No utilice herramientas con un interruptor defectuoso.** *Las herramientas que no se puedan conectar o desconectar son peligrosas y deben hacerse reparar.*
- c) **Saque el enchufe de la red antes de realizar un ajuste en el aparato, cambiar de accesorio o al guardar el aparato.** *Esta medida preventiva reduce el riesgo a conectar accidentalmente el aparato.*
- d) **Guarde las herramientas fuera del alcance de los niños y de las personas que no estén familiarizadas con su uso.** *Las herramientas utilizadas por personas inexpertas son peligrosas.*
- e) **Cuide sus aparatos con esmero. Controle si funcionan correctamente, sin atascarse, las partes móviles del aparato, y si existen partes rotas o deterioradas que pudieran afectar al funcionamiento de la herramienta. Si la herramienta eléctrica estuviese defectuosa haga repararla antes de volver a utilizarla.** *Muchos de los accidentes se deben a aparatos con un mantenimiento deficiente.*
- f) **Mantenga los útiles limpios y afilados.** *Los útiles mantenidos correctamente se dejan guiar y controlar mejor.*
- g) **Utilice herramientas eléctricas, accesorios, útiles, etc. de acuerdo a estas instrucciones y en la manera indicada específicamente para este aparato. Considere en ello las condiciones de trabajo y la tarea a realizar.** *El uso de herramientas eléctricas para trabajos dife-*

rentes de aquellos para los que han sido concebidas puede resultar peligroso.

- h) **Mantenga las empuñaduras secas, limpias y libres de aceite y grasa.** *Las empuñaduras resbaladizas no permiten una manipulación y un control seguros de la herramienta eléctrica en situaciones inesperadas.*

5 TRATO Y USO CUIDADOSO DE APARATOS ACCIONADOS POR ACUMULADOR

- a) **Solamente cargar los acumuladores con los cargadores recomendados por el fabricante.** *Existe riesgo de incendio al intentar cargar acumuladores de un tipo diferente al previsto para el cargador.*
- b) **Solamente emplee los acumuladores previstos para la herramienta eléctrica.** *El uso de otro tipo de acumuladores puede provocar daños e incluso un incendio.*
- c) **Si no utiliza el acumulador, guárdelo separado de clips, monedas, llaves, clavos, tornillos o demás objetos metálicos que pudieran puentear sus contactos.** *El cortocircuito de los contactos del acumulador puede causar quemaduras o un incendio.*
- d) **La utilización inadecuada del acumulador puede provocar fugas de líquido. Evite el contacto con él. En caso de un contacto accidental enjuagar el área afectada con abundante agua. En caso de un contacto con los ojos recurra además inmediatamente a un médico.** *El líquido del acumulador puede irritar la piel o producir quemaduras.*

6 SERVICIO

- a) **Únicamente haga reparar su herramienta eléctrica por un profesional, empleando exclusivamente piezas de repuesto originales.** *Solamente así se mantiene la seguridad de la herramienta eléctrica.*

Indicaciones de seguridad específicas

- **Al trabajar puede generarse polvo perjudicial/tóxico (p. ej., de pintura de plomo, algunos tipos de madera y metal).** *El contacto o la inhalación de este polvo puede suponer una amenaza para la persona que realiza el trabajo o para aquellas que se encuentren cerca. Observe las*

normativas de seguridad vigentes en su país. Conecte la herramienta eléctrica a un equipo de aspiración apropiado.



Utilice por el bien de su salud una mascarilla de protección respiratoria con filtro P2.



Ante el peligro que supone el lijado, lleve siempre gafas de protección

- **Evite la entrada de agentes pulidores (pulimentos) líquidos en la herramienta.** La penetración de agentes pulidores (pulimentos) líquidos en la herramienta eléctrica aumenta el riesgo de descarga eléctrica.

Tratamiento de metales



Al trabajar con metal deberá tener presente las siguientes medidas por motivos de seguridad:

- Preconecte un interruptor de corriente de defecto (FI, PRCD).
- Conecte la máquina a un equipo de aspiración apropiado.
- Limpie regularmente el polvo que se acumula en la carcasa del motor de la máquina.



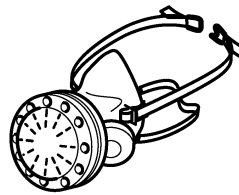
¡Utilizar gafas de protección!

Riesgos para la salud producidos por el polvo



ADVERTENCIA! Algunos polvos creados por lijadoras motorizadas, aserraderos, trituradores, perforadoras y otras actividades de construcción contienen sustancias químicas que se sabe (en el Estado de California) causan cáncer, defectos de nacimiento u otros daños al sistema reproductivo. Algunos ejemplos de estas sustancias químicas son:

- Plomo de las pinturas con base de plomo
- Sílice cristalino de los ladrillos y cemento y otros productos de mampostería, y
- Arsénico y cromo de madera tratada con sustancias químicas



El riesgo de exposición a estas sustancias varía, dependiendo de cuantas veces se hace este tipo de trabajo. Para reducir el contacto con estas sustancias químicas: trabaje en un área con buena ventilación y trabaje con equipo de seguridad aprobado, como mascarillas para el polvo diseñadas específicamente para filtrar partículas microscópicas.



ADVERTENCIA

PARA REDUCIR EL RIESGO DE LESIÓN, EL USUARIO DEBE LEER EL MANUAL DE INSTRUCCIÓN.

Descripción de las funciones

Las imágenes con la dotación de suministro se encuentran en una hoja desplegable al comienzo de este manual de instrucciones. Cuando lea este manual, le recomendamos que despliegue esta página para disponer fácilmente de una vista general de la máquina.

- [1-1] Protector
- [1-2] Conmutador/bloqueo del husillo
- [1-3] Interruptor de conexión y desconexión
- [1-4] Cable de conexión a la red
- [1-5] Racor de aspiración

- [1-6] Regulación del número de revoluciones
 - [1-7] Plato lijador
 - [1-8] Barra de detención
 - [1-9] Plato pulidor*
 - [1-10] Zapata delta
 - [1-11] Zapata de lamass*
 - [1-12] Interface-Pad*
- * no para todas las variantes de la dotación de suministro

Uso conforme a lo previsto

Conforme a las especificaciones, la máquina está prevista para lijar y pulir plástico, metal, madera, materiales compuestos, pintura/barniz, emplaste y materiales similares. La máquina no debe emplearse para el tratamiento de materiales que contengan amianto.

Por motivos de seguridad eléctrica, la máquina no debe mojarse ni utilizarse en entornos

húmedos. La máquina sólo puede utilizarse para el lijado en seco.



ADVERTENCIA

El usuario responde de los daños y accidentes que puedan derivarse de un uso no conforme a lo previsto.

Puesta en servicio

Tenga en cuenta las imágenes al principio del manual.



ADVERTENCIA

Tensión o frecuencia no permitida

Peligro de caída

- ▶ La tensión de red y la frecuencia de la red eléctrica deben coincidir con los datos que figuran en la placa de tipo.
- ▶ En Norteamérica sólo las máquinas Festool pueden utilizarse con una tensión de 120 V/60 Hz.

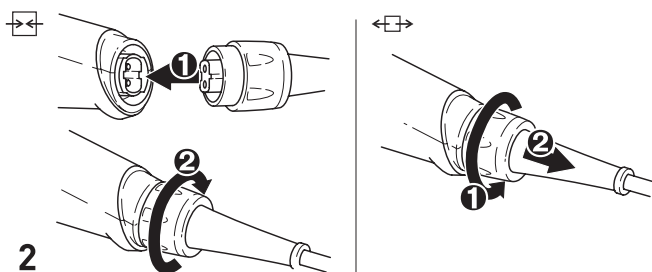


ADVERTENCIA

Peligro de lesiones, electrocución

- ▶ ¡Desconectar el enchufe de la red antes de realizar cualquier trabajo en la máquina!

Ver la figura [2] para enchufar y desenchufar el cable de conexión [1-4] a la red.



El interruptor [1-3] sirve como interruptor de conexión y desconexión (I = CONECTADO, 0 = DESCONECTADO).

① El interruptor de conexión sólo se puede pulsar cuando el conmutador [1-2] está enclavado.

① En caso de corte de corriente o al retirar el enchufe, colocar el interruptor de conexión y desconexión inmediatamente en la posición de desconexión. Esto impide que la máquina se vuelva a conectar de forma incontrolada.

Alargador

Si fuera necesario utilizar un alargador, éste deberá estar provisto de una sección transversal suficiente como para evitar una pérdida excesiva de voltaje o que se produzca un sobrecalentamiento. Una pérdida excesiva de voltaje reduce el rendimiento y puede causar el fallo del motor. La tabla que aparece a continuación indica el diámetro correcto del cable en función de la longitud del cable de ésta máquina.

| | | | | |
|--|----|----|-----|-----|
| Longitud total del cable alargador (pie) | 25 | 50 | 100 | 150 |
| Dimensiones del cable (AWG) | 18 | 16 | 16 | 14 |

Use sólo los alargadores U.L. y CSA que figuran en la relación.

No utilice nunca dos alargadores juntos. Se recomienda usar un solo cable largo.

① Cuanto menor sea el número AWG, más fuerte será el cable.

Ajustes

Tenga en cuenta las imágenes al principio del manual.



ADVERTENCIA

Peligro de lesiones, electrocución

- ¡Desconectar el enchufe de la red antes de realizar cualquier trabajo en la máquina!

Sistema electrónico

La máquina dispone de un sistema electrónico de onda completa con las siguientes propiedades:

Arranque suave

El arranque suave mediante control electrónico garantiza una puesta en marcha de la máquina sin sacudidas.

Regulación del número de revoluciones

El número de revoluciones se puede ajustar de modo continuo [1-6] en la gama de revoluciones (véase Datos técnicos) con la rueda de ajuste. De esta forma, la velocidad de corte se puede adaptar de forma óptima a cada superficie (véase tabla).

Revoluciones constantes

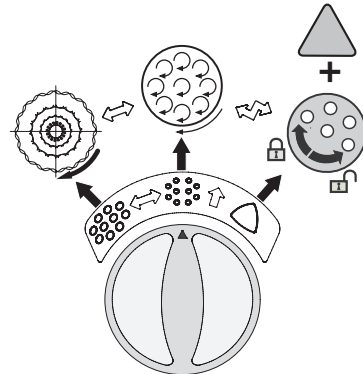
El número preseleccionado de revoluciones del motor se mantiene constante gracias a un sistema electrónico. De este modo se consigue también una velocidad de corte estable bajo carga.

Protector contra sobrettemperatura

Si la temperatura del motor es demasiado elevada, el suministro de corriente y el número de revoluciones disminuyen. La máquina sólo funciona con una potencia baja para que pueda enfriarse rápidamente mediante la ventilación del motor. Si el exceso de temperatura persiste, la máquina se desconecta completamente pasados unos 40 segundos. Solo se puede volver a conectar una vez enfriado el motor.

Ajustar el movimiento de lijado - Fig. [3]

3



Con el conmutador [1-2] es posible ajustar tres movimientos de lijado diferentes.

- ① La conmutación sólo se puede realizar con el plato lijador parado, ya que el interruptor está bloqueado cuando está en funcionamiento.

Lijado basto, pulido: trazado en curva ROTEX



El trazado en curva Rotex es una combinación de movimiento excéntrico y de rotación. Esta posición se selecciona para lijar con mucha fuerza (lijado basto) y para pulir.

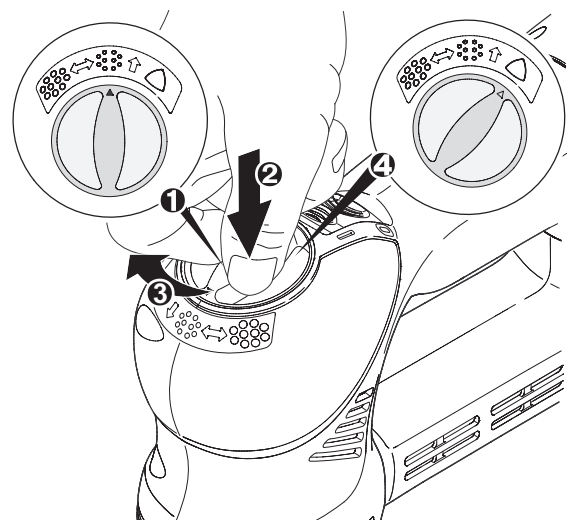
Lijado fino: movimiento excéntrico



Esta posición se selecciona para lijar con poca fuerza una superficie sin estrías (lijado fino).

Lijadora triangular y cambio de plato - Fig. [4]

4





Esta posición se utiliza con la zapata delta y con la zapata de lamas; el movimiento giratorio está bloqueado.

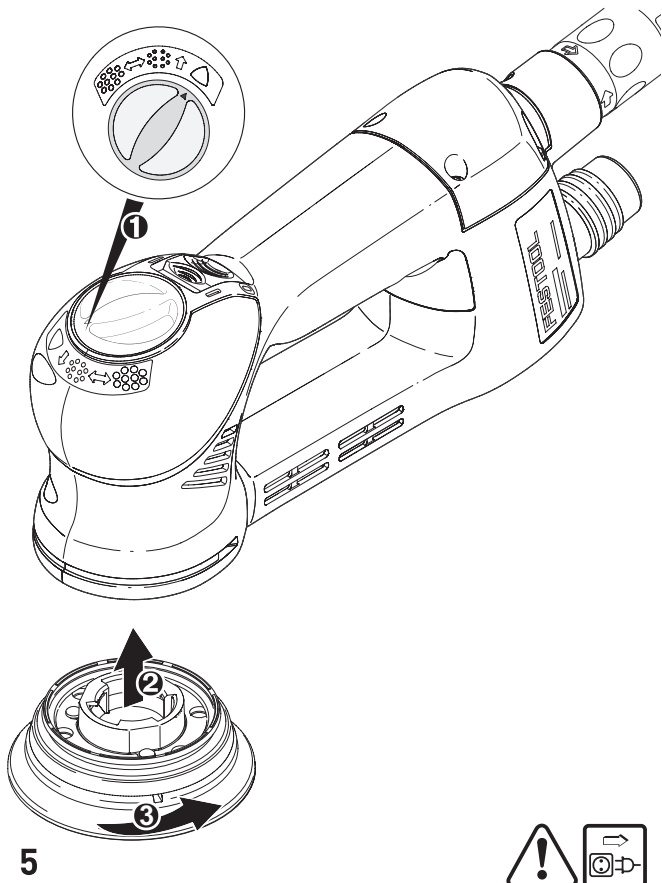


En esta posición puede cambiar el plato lijador o la zapata.

- ⓘ La barra de detención [1-8] bloquea el montaje de la zapata en las posiciones del conmutador de trazado en curva ROTEX y movimiento excéntrico.

Cambiar el plato lijador y el plato pulidor - Fig. [5]

- ⓘ Utilice solamente platos lijadores y platos pulidores permitidos para el número de revoluciones máximo indicado.



Sobre la superficie de trabajo, la herramienta se puede equipar con dos platos lijadores duros diferentes.

Duro: lijado basto y lijado fino sobre superficies. Lijado de cantos.

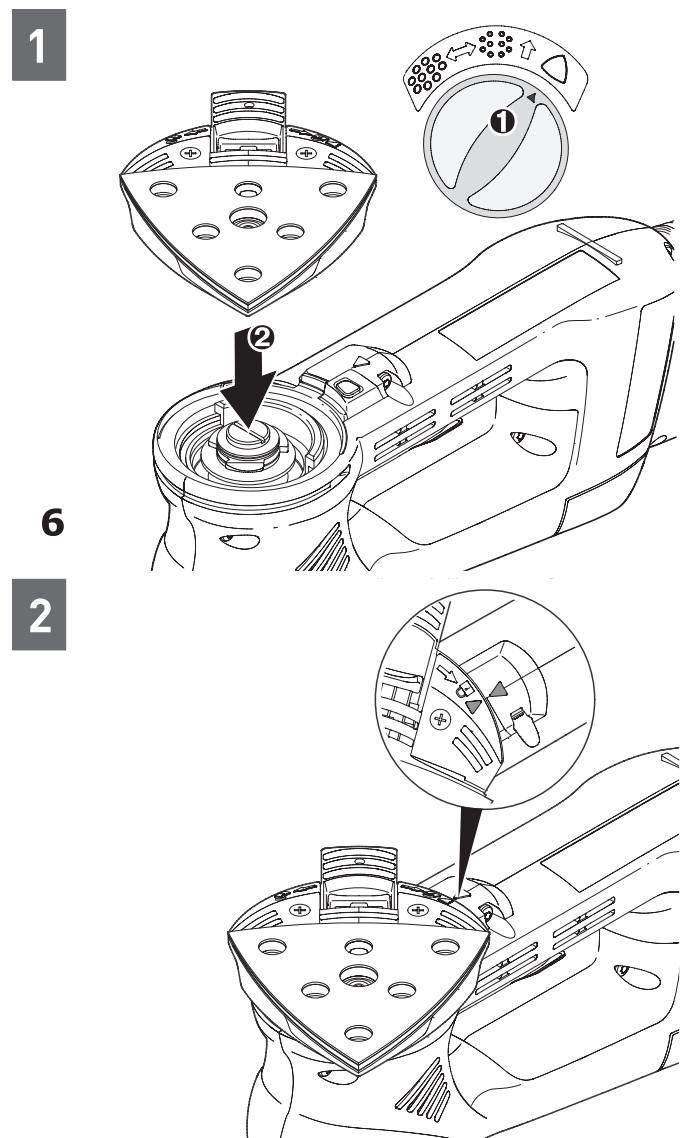
Blando: Universal para el lijado basto y el lijado fino, para superficies planas y abombadas.

Mediante el montaje del Interface-Pad [1-12] sobre el plato lijador, se reduce la resistencia = extrablando.

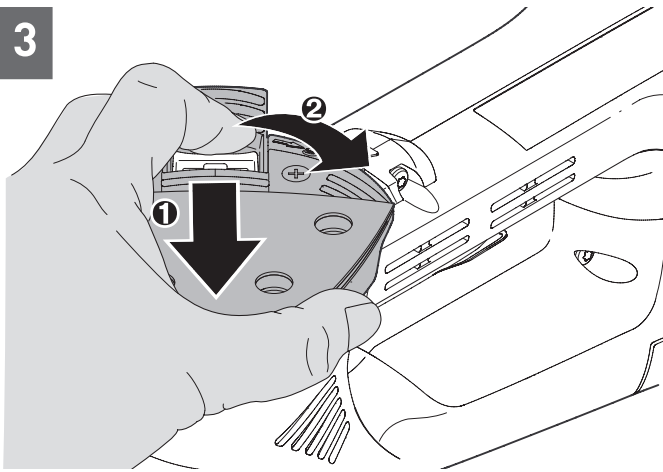
- Después del cambio de plato, ajuste el conmutador [1-2] al movimiento de lijado deseado.

Cambiar la zapata - Fig. [6]

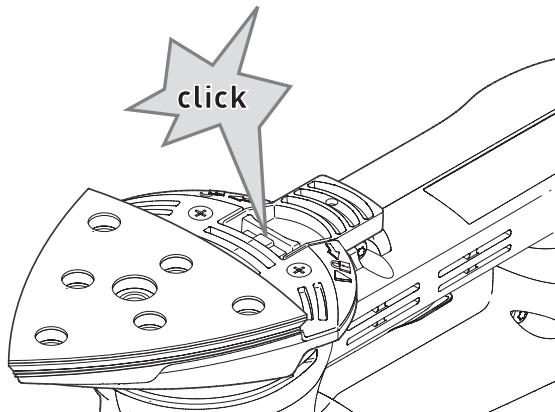
Con la zapata delta DSS-GE-STF-RO90 puede lijar cerca de los bordes, en esquinas o en cantos. Con la zapata de lamas LSS-STF-RO90 puede lijar en huecos como pueden ser las contraventanas.



3



4

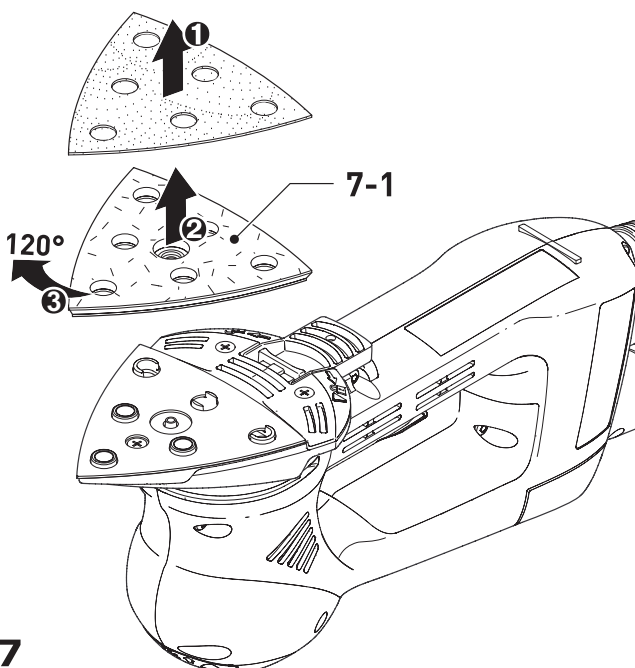


Tenga en cuenta las siguientes advertencias:

El trabajo en esquinas y cantos conlleva un esfuerzo localizado en la punta y una mayor generación de calor. Por ello, trabaje con presión reducida.

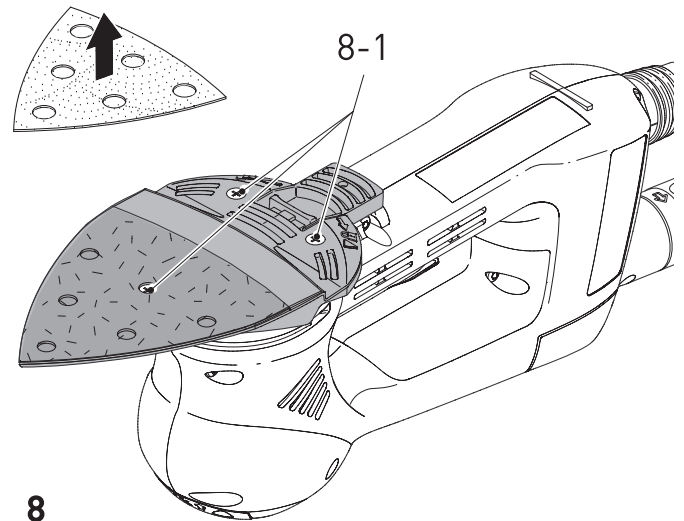
Zapata delta DSS-GE-STF-RO90- Fig. [7]

En caso de que la StickFix-Pad [7-1] de la zapata delta esté desgastada por la punta delantera, retírela y gírela 120°.



7

Zapata de lamas LSS-STF-RO90- Fig. [8]



En caso de que la capa StickFix de la zapata de lamas esté desgastada, puede sustituirse toda la mesa. Para ello, afloje los tornillos [8-1].

Fijar los accesorios de lijado

En el plato lijador y la zapata StickFix, el abrasivo StickFix y el vellón de lijar StickFix correspondientes se pueden fijar de forma rápida y sencilla.

► Presione el accesorio de lijado autoadhesivo sobre el plato [1-7] lijador.



Sólo utilice lijas que tengan el recubrimiento Stickfix intacto. Inspecciónelos antes de usarse para asegurarse que el recubrimiento autoadhesivo no ha sufrido algún daño por su uso incorrecto (por ejemplo, por subrecalentamiento)

Fijación de los accesorios de pulido

Para evitar daños, los accesorios PoliStick (esponjas, fieltros, piel de cordero) sólo se pueden montar en el plato pulidor especial.

► Presione el accesorio de pulido autoadhesivo sobre el plato [1-9] pulidor.

Aspiración



ADVERTENCIA

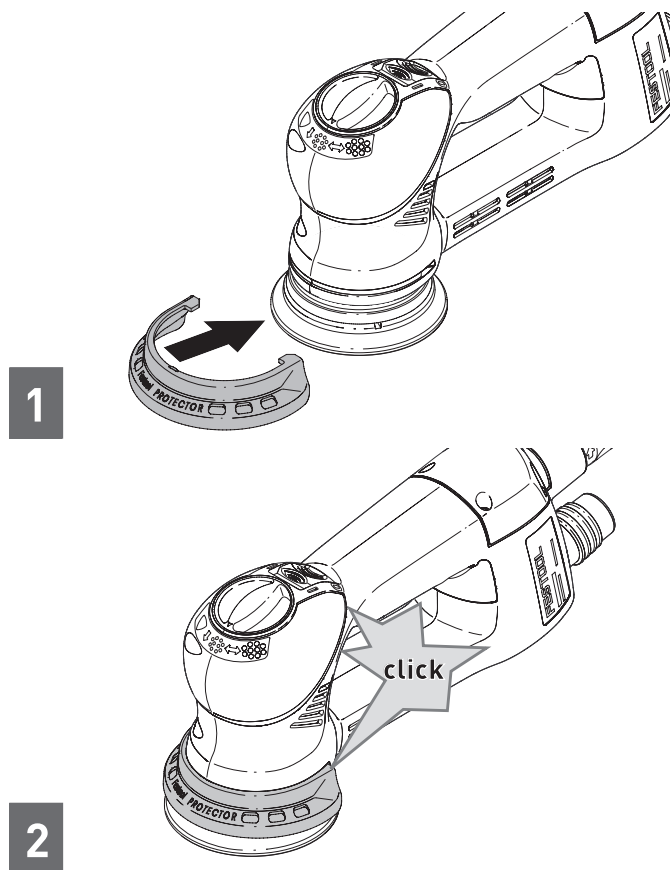
Consecuencias perjudiciales para la salud a causa del polvo

- ▶ El polvo puede ser perjudicial para la salud. Por este motivo, no trabaje nunca sin aspiración.
- ▶ Durante la aspiración de polvo perjudicial para la salud, respete siempre las normativas nacionales.

En los racores de aspiración [1-5] puede conectarse un aspirador Festool con un diámetro de tubo flexible de aspiración de 27 mm.

Protección de cantos (Protector) - Fig. [9]

La protección de cantos [1-1] reduce el riesgo de que el perímetro del plato lijador toque la superficie (p. ej. al lijar una pared o una ventana) y de que se produzca un contragolpe de la máquina o se produzcan daños.



Trabajo con la máquina



ADVERTENCIA

Peligro de lesiones

- ▶ Fije la pieza de trabajo siempre de forma que no se pueda mover cuando se trabaje con ella.

Tenga en cuenta las siguientes advertencias:

- ¡No sobrecargue la máquina aplicando demasiada presión! Los mejores resultados

de lijado se consiguen aplicando una presión moderada. La calidad y el rendimiento de lijado dependen fundamentalmente de la elección del abrasivo adecuado.

- Sujete la máquina con ambas manos sobre la carcasa del motor y la cabeza del engranaje.

① Las tablas A y B muestran las posiciones recomendadas para los diferentes trabajos de lijado y pulido.

Mantenimiento y cuidado



ADVERTENCIA

Cualquier trabajo de mantenimiento o reparación que requiera abrir el motor o la carcasa del engranaje deberá ser realizado únicamente por un Centro de Atención al Cliente (nombre proporcionado por su concesionario).

- ▶ Los trabajos de mantenimiento o reparación realizados por una persona no autorizada podrían provocar la conexión incorrecta de los conductores de alimentación u otros componentes, lo que a su vez podría provocar accidentes con consecuencias graves.



ADVERTENCIA

Para prevenir los accidentes, antes de realizar cualquier trabajo de mantenimiento o reparación en la máquina retire siempre el enchufe de la toma de corriente.

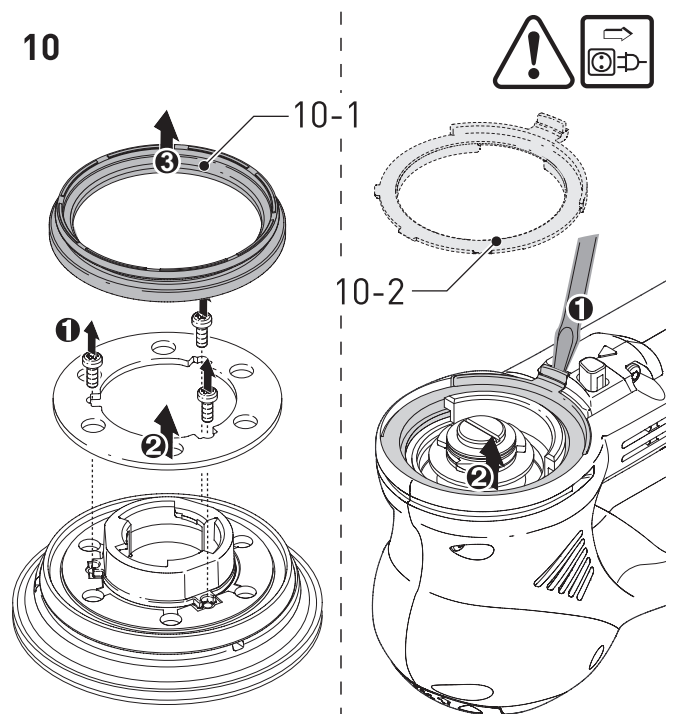
- ▶ No utilice aire a presión para limpiar las herramientas eléctricas. No intente limpiar las partes internas de la máquina de este modo, ya que podría permitir la entrada de objetos extraños a través de las aperturas de la carcasa de la máquina.

A fin de garantizar una correcta circulación del aire, las aberturas para el aire de refrigeración dispuestas en la carcasa del motor deben mantenerse libres y limpias.

El aparato está equipado con escobillas especiales autodesconectables. Si las escobillas están desgastadas, se interrumpe automáticamente la corriente y el aparato se detiene.

Freno de plato

El retén de goma [10-1] del plato lijador y el anillo de detención [10-2] de la máquina impiden que durante el movimiento excéntrico (lijado fino) el número de revoluciones del plato lijador aumente sin control. Dado que estas piezas se desgastan con el paso del tiempo, debe sustituirlas cuando disminuya el efecto de frenado (véase la referencia en la lista de piezas de repuesto).



Accesorios

Utilice únicamente los accesorios Festool originales y el material de consumo Festool diseñados para esta máquina, puesto que los componentes de este sistema están óptimamente adaptados entre sí. La utilización de accesorios y material de consumo de otros fabricantes puede afectar a la calidad de los resultados de trabajo y conllevar una limitación de los derechos de la garantía. El desgaste de la máquina o de su carga personal puede variar en función de la aplicación. Utilice únicamente accesorios originales y ma-

terial de consumo de Festool para su propia protección y la de la máquina, así como de los derechos de la garantía.

Utilice sólo platos lijadores y pulidores originales de Festool. El uso de platos lijadores y pulidores de poca calidad puede originar considerables desequilibrios que reducen la calidad de los resultados de trabajo y aumentan el desgaste de la máquina.

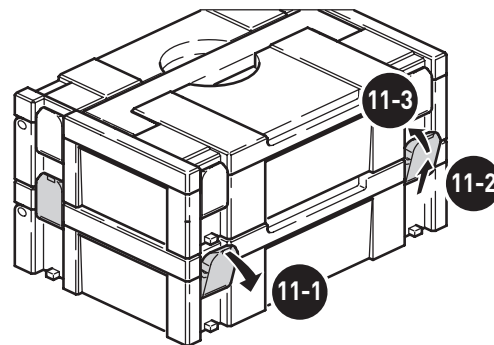
Los números de pedido para los respectivos accesorios y herramientas se encuentran en

su catálogo Festool o en la dirección de Internet "www.festoolusa.com".

Systainer

Muchos de los productos Festool se entregan en un embalaje exclusivo denominado "Systainer" que sirve de protección a la herramienta y sus complementos, además de facilitar su almacenamiento. Los Systainer pueden apilarse y encajan unos con otros. Además se adaptan sin problema a cualquier aparato de aspiración CT de Festool.

11



- ▶ Coloque un Systainer sobre otro.
- ▶ Abra los cuatro enganches del Systainer de abajo tirando de sus extremos superiores [11-1].
- ▶ Deslice los cuatro enganches hacia arriba [11-2].
- ▶ Presione los cuatro enganches hasta que queden planos [11-3] y puedan así acoplarse en los soportes del Systainer colocado encima.

Reciclaje

¡No desechar las herramientas eléctricas junto con los residuos domésticos!
Recicle los aparatos, accesorios y embalajes

de forma respetuosa con el medio ambiente. Tenga en cuenta la normativa vigente del país.

Garantía

Condiciones de la Garantía 1 + 2

Usted tiene derecho a una garantía extendida gratuita (1 año + 2 años = 3 años) para su herramienta mecánica Festool. Festool se hará responsable por los gastos de envío durante el primer año de garantía. Durante el segundo y tercer año de garantía el cliente es responsable por el costo del envío de la herramienta a Festool. Festool pagará el embarque de regreso al cliente usando UPS Ground Service. Todo el servicio de garantía es válido por 3 años desde la fecha de la compra de acuerdo a la fecha de su recibo o factura de compra.

Garantía limitada de Festool

Esta garantía es válida con la condición previa de que la herramienta se usa y opera de conformidad con las instrucciones de operación de Festool. Festool garantiza, sólo al comprador original, que la herramienta especificada estará libre de defectos de fabrica-

ción y materiales durante un periodo de un año a partir de la fecha de compra. Festool no otorga otras garantías, ni explícitas ni implícitas para ninguna de las herramientas mecánicas portátiles Festool. Ningún agente, representante, distribuidor, comerciante o empleado de Festool está autorizado para extender o modificar de cualquier manera las obligaciones o limitaciones de esta garantía. Las obligaciones de Festool, a su propia entera discreción, están limitadas a la reparación o sustitución de cualquier herramienta portátil Festool que se encuentre estar defectuosa en el momento de ser embalada junto con el manual de usuario.

Quedan excluidos de la cobertura en esta garantía: el desgaste normal; los daños causados por uso indebido, el abuso o negligencia; los daños causados por cualquier otra causa que no sean defectos del material o de la fabricación. Esta garantía no aplica a accesorios como cuchillas de sierras circulares, bro-

cas de taladro, barrenas de buriladora, cuchillas de sierra, cuchillas para sierras de calado, correas de lijadoras y ruedas de esmeril. También se excluyen las "partes que se desgastan" como cepillos de carbón, laminillas de herramientas de aire, collarines de hule y sellos, discos y cojines de lijado, y baterías.

Las herramientas mecánicas portátiles Festool que requieran de reemplazo o reparación deben devolverse con el recibo de compra a Festool (vea www.festoolusa.com o llame al 888-337-8600 para los detalles de la dirección).

EN NINGÚN CASO FESTOOL SE HARÁ RESPONSABLE POR LOS DAÑOS SECUNDARIOS O CONSECUENTES OCASIONADOS POR LA VIOLACIÓN DE ESTA O CUALQUIER OTRA GARANTÍA, SEA EXPLÍCITA O IMPLÍCITA. TODAS LAS GARANTÍAS IMPLICADAS POR LEYES ESTATALES, INCLUYENDO LAS GARAN-

TÍAS IMPLICADAS DE COMERCIALIZACIÓN Y ADECUACIÓN A UN PROPÓSITO PARTICULAR, QUEDAN LIMITADAS A TRES AÑOS DE DURACIÓN.

Algunos estados de EE.UU. y algunas provincias de Canadá no permiten las limitaciones en cuanto a la duración de las garantías implícitas, de modo que la limitación arriba indicada puede que no le afecte. A excepción de algunas garantías implicadas por leyes estatales o provinciales, limitadas por la presente, la anteriormente citada garantía, expresamente limitada, es exclusiva y sustituye a cualquier otra garantía, acuerdo u obligación similar de Festool.

Esta garantía le concede derechos legales específicos y usted podría tener otros derechos legales que varían de estado a estado en EE.UU. y de provincia a provincia en Canadá.

| Tabla A: | | Lijado basto | | | | Lijado fino | | | |
|----------|-------------------------------------|--------------|---|-------|--------|-------------|---|-------|---------------------|
| Lijado | | | | | | | | | |
| | Barniz, pigmento de carga, emplaste | x | | 5 - 6 | blando | | x | 1 - 3 | extra-blando |
| | Barniz, pintura | x | | 5 - 6 | duro | | x | 3 - 6 | duro |
| | Madera, enchapado | x | | 5 - 6 | duro | | x | 3 - 6 | blando |
| | Plástico | x | x | 1-4 | blando | | x | 1 - 4 | blando/extra-blando |
| | Acero, cobre, aluminio | x | | 6 | blando | | x | 3 - 6 | blando |
| | Barniz VOC | | | | | | x | 2 - 4 | extra-blando-duro |

| Tabla B: | | | | |
|-----------------|---|-----------------------|-------------------------|-----------------------------|
| Pulir |  | Pulir | Sellado | Pulido abrillantador |
| Barniz |  | 6 | 3 | 4 - 6 |
| |  | Esponja basto/fino | Esponja fino/gofrado | Piel de cordero |
| |  | Pasta de pulido | Cera dura | - |
| Plástico |  | 6 | 3 | 6 |
| |  | Filtro duro | Filtro blando | Piel de cordero |
| |  | Pasta de pulido | Cera dura | - |



NOTES/ NOTACIONES/ NOTAS



NOTES/ NOTACIONES/ NOTAS



NOTES/ NOTACIONES/ NOTAS



NOTES/ NOTACIONES/ NOTAS
